



Construction

Horizontal multi-stage close coupled pumps in **chrome-nickel stainless steel**.

Compact and robust construction, without protruding flange and with single-piece lantern bracket and base.

Single-piece barrel casing, with front suction port above pumps axis and radial delivery at top.

Filling and draining plugs on the middle of the pump, accessible from any side (like the terminal box).

Applications

For water supply.

For clean liquids, without abrasives, which are non-aggressive for stainless steel (with suitable seal materials, on request).

Universal pump, for domestic use, for civil and industrial applications, for garden use and irrigation.

Operating conditions

Liquid temperature from - 15 °C to + 110 °C.

Ambient temperature up to 40 °C.

Maximum permissible pressure in the pump casing: 8 bar.

Continuous duty.

Motor

2-pole induction motor, 50 Hz ($n \approx 2800$ rpm).

MXH: three-phase 230/400 V $\pm 10\%$ up to 3 kW;
400/690 V $\pm 10\%$ from 3,7 to 4 kW.

MXHM: single-phase 230 V $\pm 10\%$, with thermal protector.
Capacitor inside the terminal box.

Insulation class F. Protection IP 54.

Motor suitable for operation with frequency converter from 1,8 kW.

Classification scheme IE2 for three-phase motors from 0,75 kW.

Constructed in accordance with: EN 60034-1; EN 60034-30.

EN 60335-1, EN 60335-2-41.

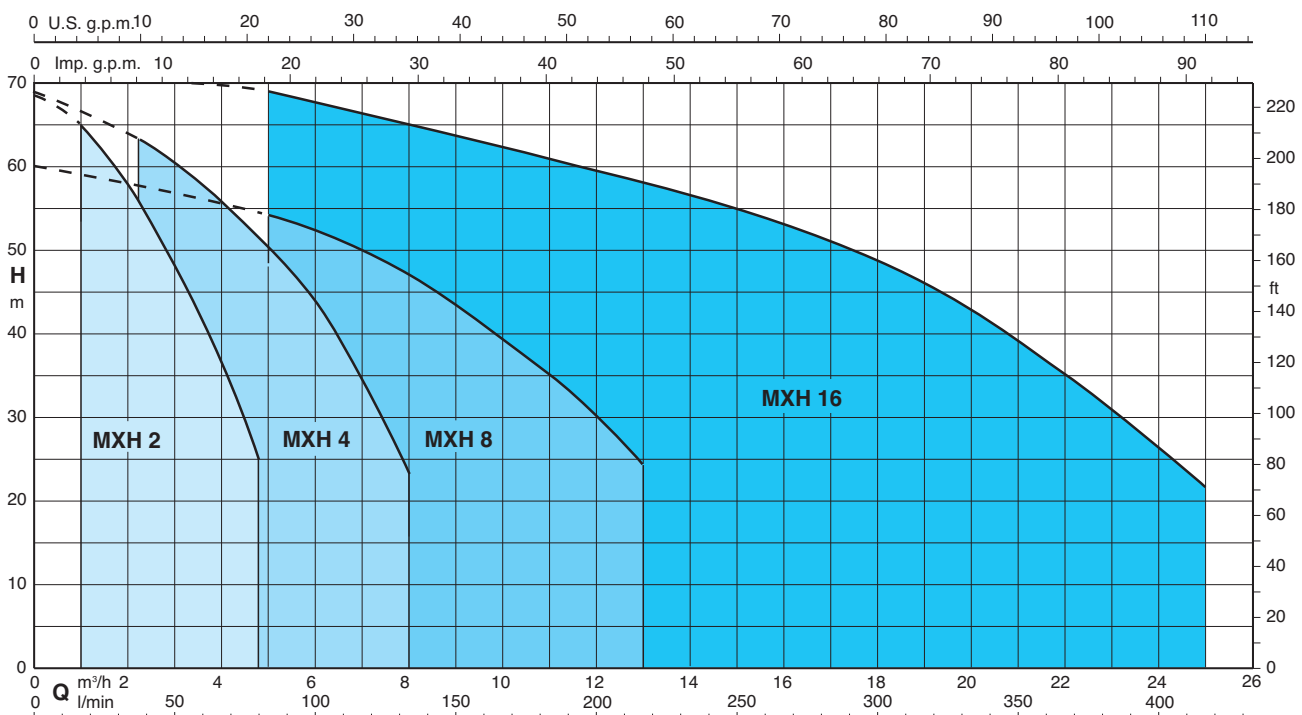
Special features on request

- Other voltages. - Frequency 60 Hz (as per 60 Hz data sheet).
- Protection IP 55.
- Special mechanical seal
- Pump casing seal rings in FPM.
- Higher or lower liquid or ambient temperatures.
- Motor suitable for operation with frequency converter up to 1,5 kW.

Materials

Component	Material
Pump casing	Chrome-nickel steel 1.4301 EN 10088 (AISI 304)
Stage casing	Chrome-nickel steel 1.4301 EN 10088 (AISI 304)
Wear ring	PTFE
Impeller	Chrome-nickel steel 1.4301 EN 10088 (AISI 304)
Casing cover	Chrome-nickel steel 1.4301 EN 10088 (AISI 304)
Spacer sleeve	Chrome-nickel steel 1.4301 EN 10088 (AISI 304)
Pump shaft	Chrome-nickel steel 1.4305 EN 10088 (AISI 303)
Plug	Chrome-nickel steel 1.4305 EN 10088 (AISI 303)
Mechanical seal with seat according to ISO 3069	Ceramic alumina, carbon, EPDM (Other materials on request)

Coverage chart $n \approx 2800$ rpm



Performance n ≈ 2800 rpm

3 ~	230 V		400 V	1 ~	230 V		P ₁	P ₂		Q	m ³ /h									
	A	A			A	kW		kW	HP		0	1	1,5	2	2,5	3	3,5	4	4,25	4,8
MXH 202E	1,7	1		MXHM 202E	2,3	0,5	0,33	0,45		H m	22	20	18,5	17	15,3	13,4	11,4	9,3	8,2	5,6
MXH 203E	2,4	1,4		MXHM 203E	3	0,65	0,45	0,6	33		31	29	27	24,5	21,7	18,6	15,5	13,8	9	
MXH 204/A	2,8	1,6		MXHM 204/A	4,2	0,9	0,55	0,75	45		42,5	40,4	37,5	34,5	30,8	26,7	22,4	20,1	14,8	
MXH 205/A	3,5	2		MXHM 205/A	5,4	1,2	0,75	1	57		53,5	50,5	47,5	43,5	39	34	28,5	25,8	19	
MXH 206/B	4,7	2,7		MXHM 206	7,4	1,5	1,1	1,5	68,5		65	61,5	58	53,5	48	43	36,5	33,5	25	

3 ~	230 V		400 V	1 ~	230 V		P ₁	P ₂		Q	m ³ /h									
	A	A			A	kW		kW	HP		0	2,25	3	3,5	4	4,5	5	6	7	8
MXH 402E	2,4	1,4		MXHM 402E	3	0,65	0,45	0,6		H m	22,5	20	19	18,5	17,5	16	15	12,5	9,5	6
MXH 403/A	2,8	1,6		MXHM 403/A	4,2	0,9	0,55	0,75	33		30	29	27,5	26	24,5	23	19,5	15	9,5	
MXH 404/A	3,5	2		MXHM 404/A	5,4	1,2	0,75	1	44,5		40,5	38	36,5	35	33	31	26	20	12,5	
MXH 405/B	4,7	2,7		MXHM 405	7,4	1,5	1,1	1,5	56,5		52	50	47,5	45,5	43	40	33,5	26	16,5	
MXH 406	6,2	3,6		MXHM 406	9,2	2	1,5	2	68,5		63	60	58	56	53,5	51	44	35	23	

3 ~	230 V		400 V	1 ~	230 V		P ₁	P ₂		Q	m ³ /h									
	A	A			A	kW		kW	HP		0	5	6	7	8	9	10	11	12	13
MXH 802/A	3,5	2		MXHM 802/A	5,4	1,2	0,75	1		H m	22,5	20,5	20	19	18	16,5	15	13	11	8,5
MXH 803	5	2,9		MXHM 803	7,4	1,5	1,1	1,5	36		32	30,5	29	27,5	25,5	23	20	17	14	
MXH 804	6,2	3,6		MXHM 804	9,2	2	1,5	2	48		42,5	41	39	37	34,5	32	28	24	19,5	
MXH 805/A	7,5	4,3		MXHM 805	11,2	2,5	1,8	2,5	60		54	52	49,5	47	43,5	39,5	35	29,5	24	

3 ~	230 V		400 V	P ₂	Q	m ³ /h									
	A	A				kW	HP	0	5	8	11	14	16	18	20
MXH 1602	6,2	3,6		1,5	2	24	23	21,7	20,5	18,8	17,5	15,8	14	11,5	6,5
MXH 1603/A	7,5	4,3		1,8	2,5	36	34	31,8	29,5	26,8	24,8	22,4	19,2	15,3	8,8
MXH 1604/A	11,5	6,6		3	4	48	46,5	44,5	41,5	38	36	33	29	23	14
MXH 1605/A		9,6		3,7	5	60	57,5	55	51,5	48	45	42	37,5	31,5	19
MXH 1606/A		9,6		4	5,5	71	68	65	61	56	53	49	44	36	22

P1 Max. power input.

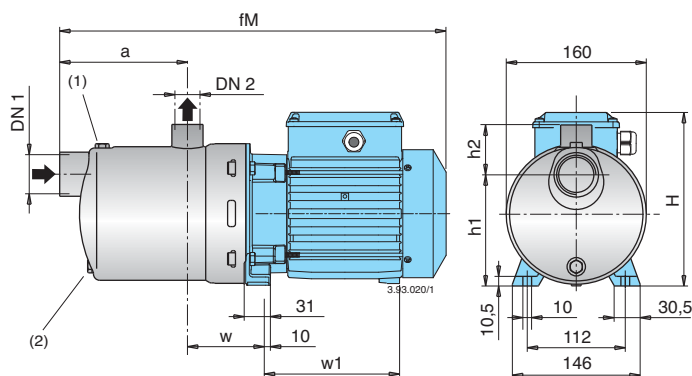
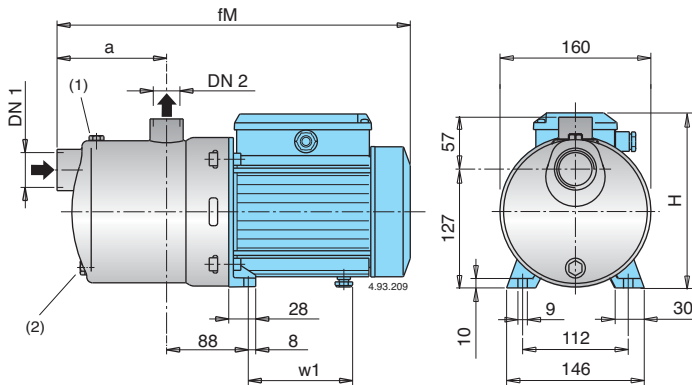
P2 Rated motor power output.

Test results with clean cold water, without gas content.

Tolerances according to UNI EN ISO 9906:2012

+ 0,5 m security margin on NPSH-value is necessary.

Dimensions and weights

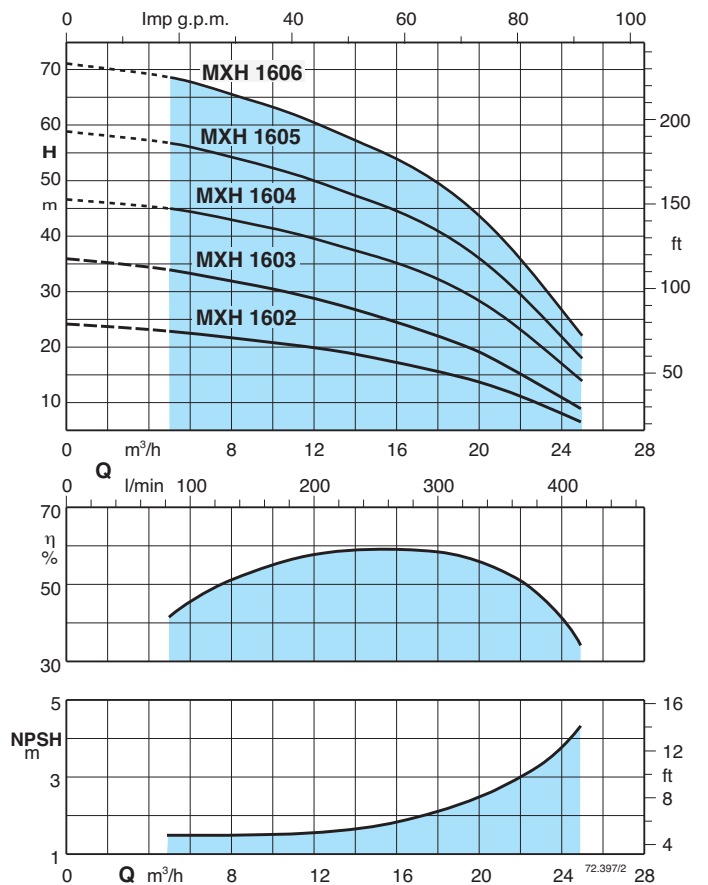
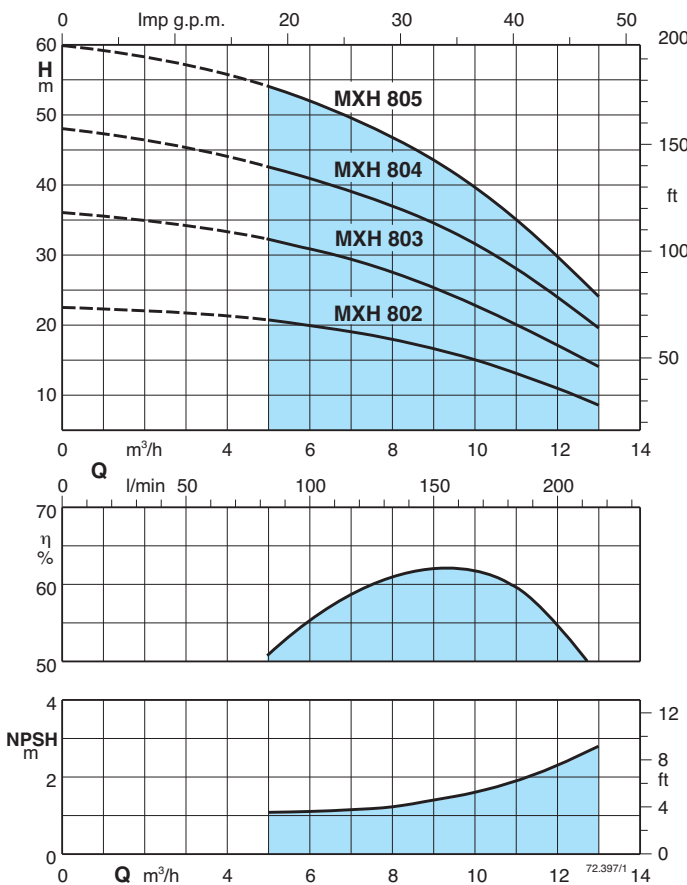
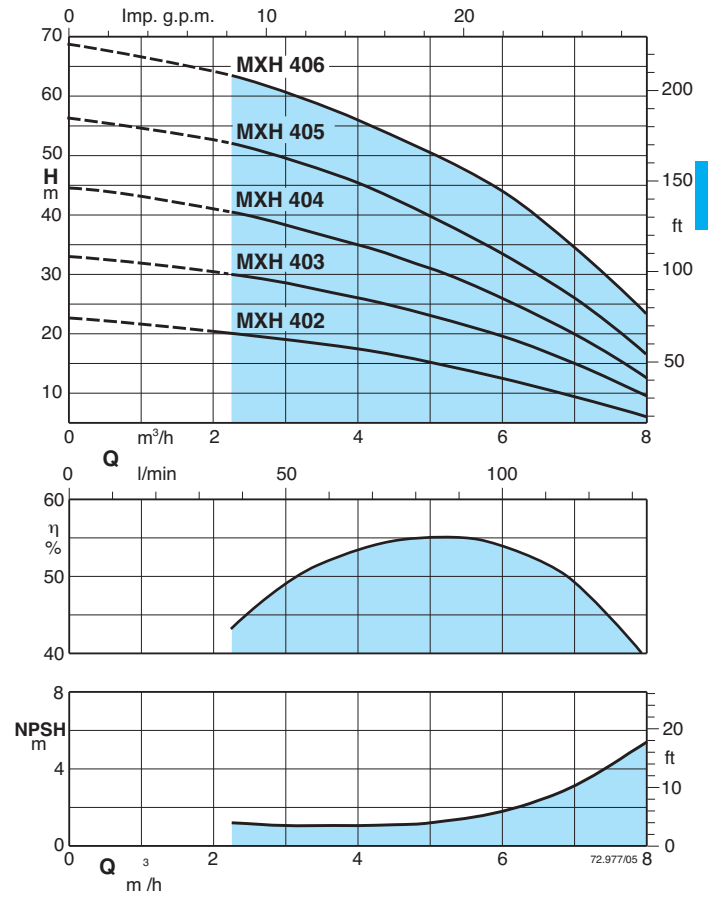
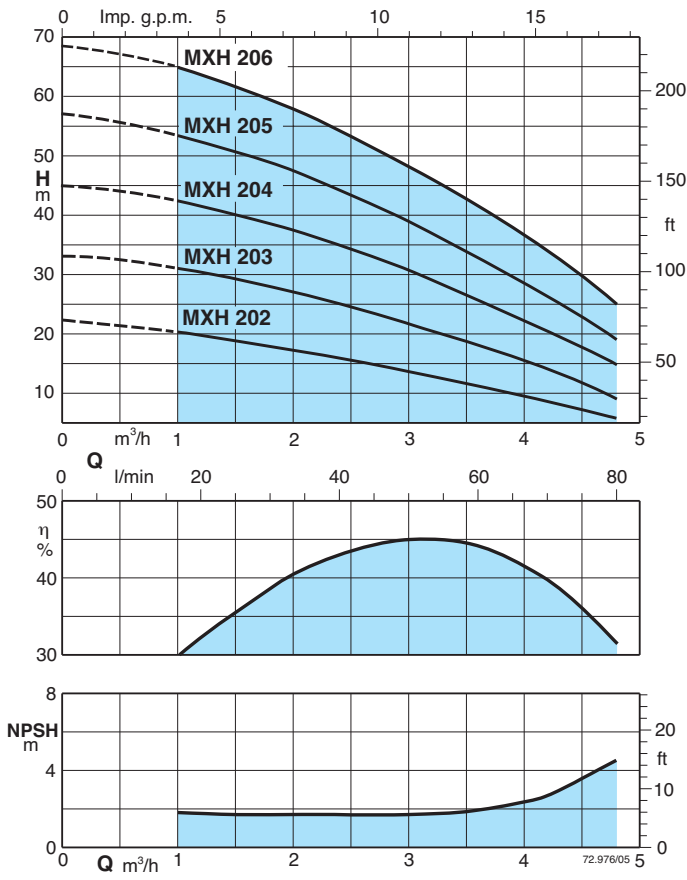


(1) Filling (2) Draining

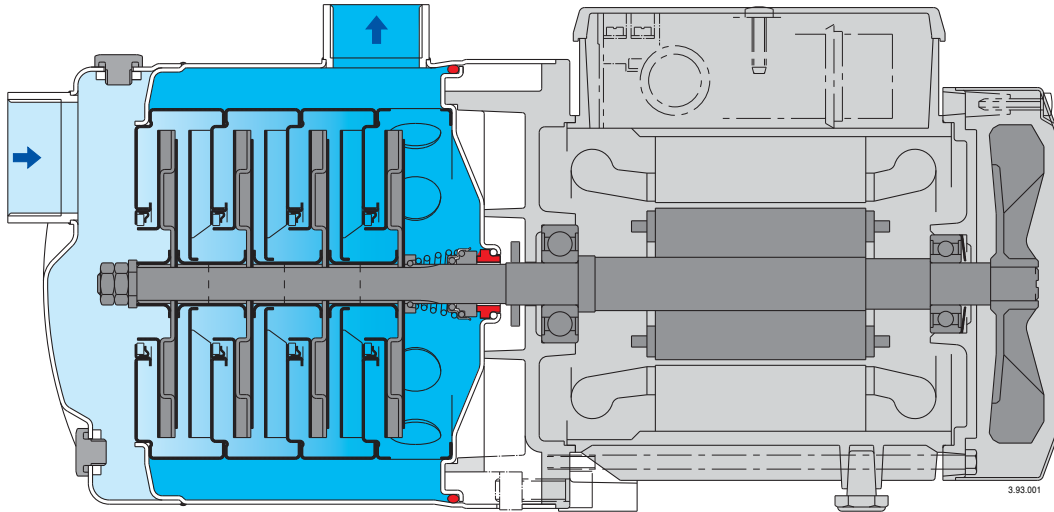
TYPE	DN1 ISO 228	DN2 ISO 228	mm				kg	
			fM	a	H	w1	MXH	MXHM
MXH 202E - MXHM 202E	G 1 1/4	G 1	331	94	176	98,5	6,8	6,9
MXH 203E - MXHM 203E	G 1 1/4	G 1	331	94	176	98,5	7,6	7,7
MXH 204/A - MXHM 204/A	G 1 1/4	G 1	381	118	193	112	10	11
MXH 205/A - MXHM 205/A	G 1 1/4	G 1	405	142	193	112	11,5	12,5
MXH 402E - MXHM 402E	G 1 1/4	G 1	331	94	176	98,5	7,6	7,7
MXH 403/A - MXHM 403/A	G 1 1/4	G 1	357	94	193	112	9,3	10,3
MXH 404/A - MXHM 404/A	G 1 1/4	G 1	381	118	193	112	10,8	11,8
MXH 802/A - MXHM 802/A	G 1 1/2	G 1	381	118	193	112	10,6	11,6

TYPE	DN1 ISO 228	DN2 ISO 228	mm							kg	
			fM	a	w	H	h1	h2	w1	MXH	MXHM
MXH 206/B - MXHM 206	G 1 1/4	G 1	500	166	88	210	127	57	167	18,5	18,6
MXH 405/B - MXHM 405	G 1 1/4	G 1	476	142	88	210	127	57	167	18	18
MXH 406 - MXHM 406	G 1 1/4	G 1	500	166	88	210	127	57	167	19,5	20,5
MXH 803 - MXHM 803	G 1 1/2	G 1	452	118	88	210	127	57	167	15,8	16,9
MXH 804 - MXHM 804	G 1 1/2	G 1	482	148	88	210	127	57	167	18,2	19,2
MXH 805/A - MXHM 805	G 1 1/2	G 1	552	178	88	210	127	57	207	21,4	22,4
MXH 1602	G 2	G 1 1/2	476	128	101	210	117	70	167	18,2	-
MXH 1603/A	G 2	G 1 1/2	516	128	101	210	117	70	207	20,8	-
MXH 1604/A	G 2	G 1 1/2	612	166	113	235	132	70	232	33,8	-
MXH 1605/A	G 2	G 1 1/2	650	203	113	235	132	70	232	35,5	-
MXH 1606/A	G 2	G 1 1/2	687	241	113	235	132	70	232	36,4	-

Characteristic curves $n \approx 2800$ rpm



Features



Extra safety

against running dry, with the suction port above pump axis.

Reliable

All hydraulic parts in contact with the pumped liquid are of stainless steel.
For liquids from -15 °C to 110 °C.

Robust

Single-piece, thick barrel casing.

Compact

Single-piece lantern bracket and base.
Without protruding flange.

Greater protection

against leakage, with the pump casing cover separated from the motor shield.
Possibility of inspecting the seal through the side apertures between the two walls.
Greater protection against water entering the motor from outside provided by an extension of the pump casing around the lantern bracket.



Construction

Horizontal multi-stage close coupled pumps in **chrome-nickel-molybdenum stainless steel AISI 316L**.

Compact and robust construction, without protruding flange and with single-piece lantern bracket and base.

Single-piece barrel casing, with front suction port above pumps axis and radial delivery at top.

Filling and draining plugs on the middle of the pump, accessible from any side (like the terminal box).

Applications

For water supply.

For clean liquids, without abrasives, which are non-aggressive for stainless steel (with suitable seal materials, on request).

Universal pump, for domestic use, for civil and industrial applications, for garden use and irrigation.

Operating conditions

Liquid temperature from - 15 °C to + 110 °C.

Ambient temperature up to 40 °C.

Maximum permissible pressure in the pump casing: 8 bar.

Continuous duty.

Motor

2-pole induction motor, 50 Hz (n ≈ 2800 rpm).

MXHL: three-phase 230/400 V ± 10%.

MXHLM: single-phase 230 V ± 10%, with thermal protector.

Capacitor inside the terminal box.

Insulation class F. Protection IP 54.

Motor suitable for operation with frequency converter from 1,8 kW.

Classification scheme IE2 for three-phase motors from 0,75 kW.

Constructed in accordance with: EN 60034-1; EN 60034-30.

EN 60335-1, EN 60335-2-41.

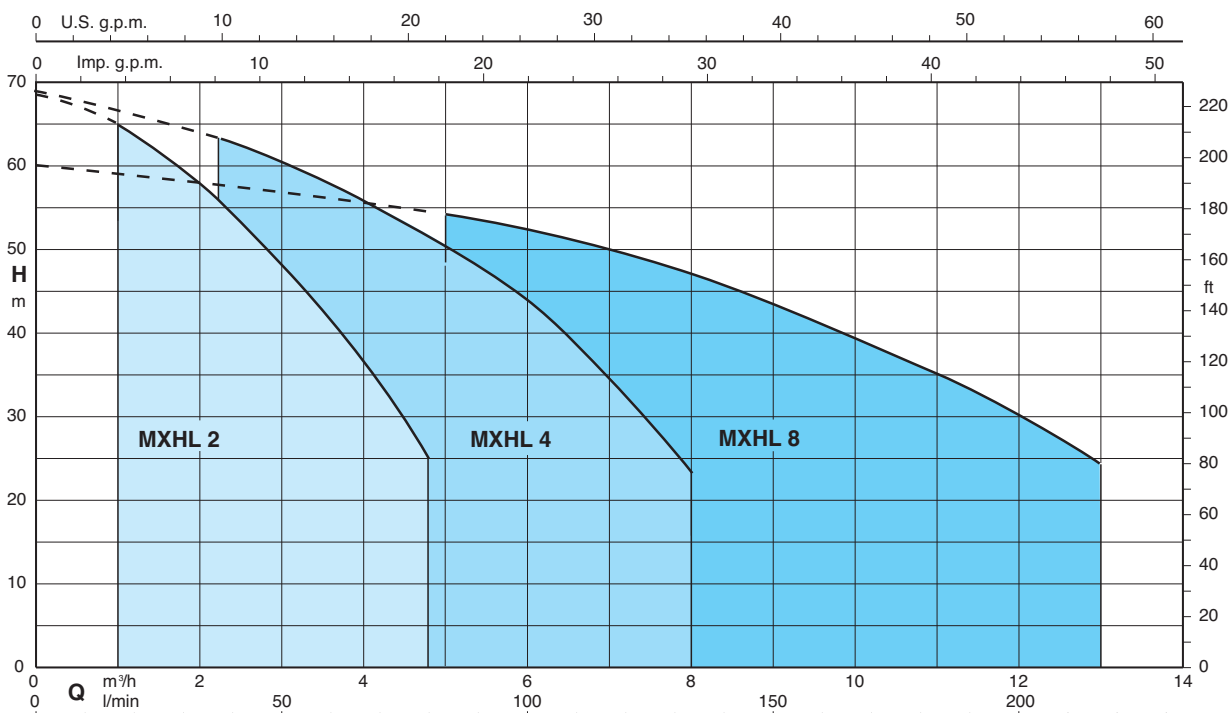
Special features on request

- Other voltages. - Frequency 60 Hz (as per 60 Hz data sheet).
- Protection IP 55.
- Special mechanical seal
- Pump casing seal rings in FPM.
- Higher or lower liquid or ambient temperatures.
- Motor suitable for operation with frequency converter up to 1,5 kW.

Materials

Component	Material
Pump casing	Cr-Ni-Mo steel 1.4404 EN 10088 (AISI 316L)
Stage casing	Cr-Ni-Mo steel 1.4404 EN 10088 (AISI 316L)
Wear ring	PTFE
Impeller	Cr-Ni-Mo steel 1.4404 EN 10088 (AISI 316L)
Casing cover	Cr-Ni-Mo steel 1.4404 EN 10088 (AISI 316L)
Spacer sleeve	Cr-Ni-Mo steel 1.4404 EN 10088 (AISI 316L)
Pump shaft	Cr-Ni-Mo steel 1.4404 EN 10088 (AISI 316L)
Plug	Cr-Ni-Mo steel 1.4404 EN 10088 (AISI 316L)
Mechanical seal with seat according to ISO 3069	Ceramic alumina, carbon, EPDM (Other materials on request)

Coverage chart n ≈ 2800 rpm



Performance n ≈ 2800 rpm

3 ~	230 V		400 V		1 ~	230 V		P ₁	P ₂		Q	m ³ /h									
	A	A	A	A		kW	kW		HP	l/min		0	1	1,5	2	2,5	3	3,5	4	4,25	4,8
MXHL 202E	1,7	1	MXHLM 202E	2,3	0,5	0,33	0,45				H m	22	20	18,5	17	15,3	13,4	11,4	9,3	8,2	5,6
MXHL 203E	2,4	1,4	MXHLM 203E	3	0,65	0,45	0,6					33	31	29	27	24,5	21,7	18,6	15,5	13,8	9
MXHL 204/A	2,8	1,6	MXHLM 204/A	4,2	0,9	0,55	0,75					45	42,5	40,4	37,5	34,5	30,8	26,7	22,4	20,1	14,8
MXHL 205/A	3,5	2	MXHLM 205/A	5,4	1,2	0,75	1					57	53,5	50,5	47,5	43,5	39	34	28,5	25,8	19
MXHL 206/B	4,7	2,7	MXHLM 206	7,4	1,5	1,1	1,5					68,5	65	61,5	58	53,5	48	43	36,5	33,5	25

3 ~	230 V		400 V		1 ~	230 V		P ₁	P ₂		Q	m ³ /h									
	A	A	A	A		kW	kW		HP	l/min		0	2,25	3	3,5	4	4,5	5	6	7	8
MXHL 402E	2,4	1,4	MXHLM 402E	3	0,65	0,45	0,6				H m	22,5	20	19	18,5	17,5	16	15	12,5	9,5	6
MXHL 403/A	2,8	1,6	MXHLM 403/A	4,2	0,9	0,55	0,75					33	30	29	27,5	26	24,5	23	19,5	15	9,5
MXHL 404/A	3,5	2	MXHLM 404/A	5,4	1,2	0,75	1					44,5	40,5	38	36,5	35	33	31	26	20	12,5
MXHL 405/B	4,7	2,7	MXHLM 405	7,4	1,5	1,1	1,5					56,5	52	50	47,5	45,5	43	40	33,5	26	16,5
MXHL 406	6,2	3,6	MXHLM 406	9,2	2	1,5	2					68,5	63	60	58	56	53,5	51	44	35	23

3 ~	230 V		400 V		1 ~	230 V		P ₁	P ₂		Q	m ³ /h												
	A	A	A	A		kW	kW		HP	l/min		0	5	6	7	8	9	10	11	12	13			
MXHL 802/A	3,5	2	MXHLM 802/A	5,4	1,2	0,75	1				H m	22,5	20,5	20	19	18	16,5	15	13	11	8,5			
MXHL 803	5	2,9	MXHLM 803	7,4	1,5	1,1	1,5					36	32	30,5	29	27,5	25,5	23	20	17	14			
MXHL 804	6,2	3,6	MXHLM 804	9,2	2	1,5	2					48	42,5	41	39	37	34,5	32	28	24	19,5			
MXHL 805/A	7,5	4,3	MXHLM 805	11,2	2,5	1,8	2,5					60	54	52	49,5	47	43,5	39,5	35	29,5	24			

P₁ Max. power input.

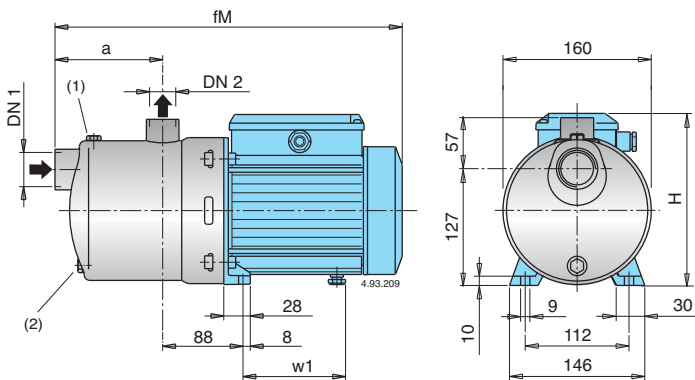
Test results with clean cold water, without gas content.

+ 0,5 m security margin on NPSH-value is necessary.

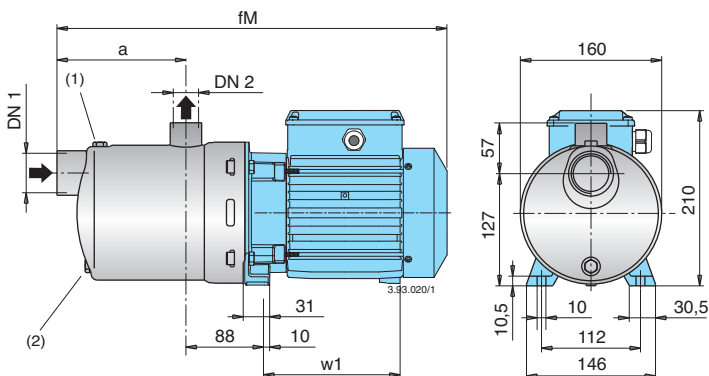
P₂ Rated motor power output.

Tolerances according to UNI EN ISO 9906:2012

Dimensions and weights



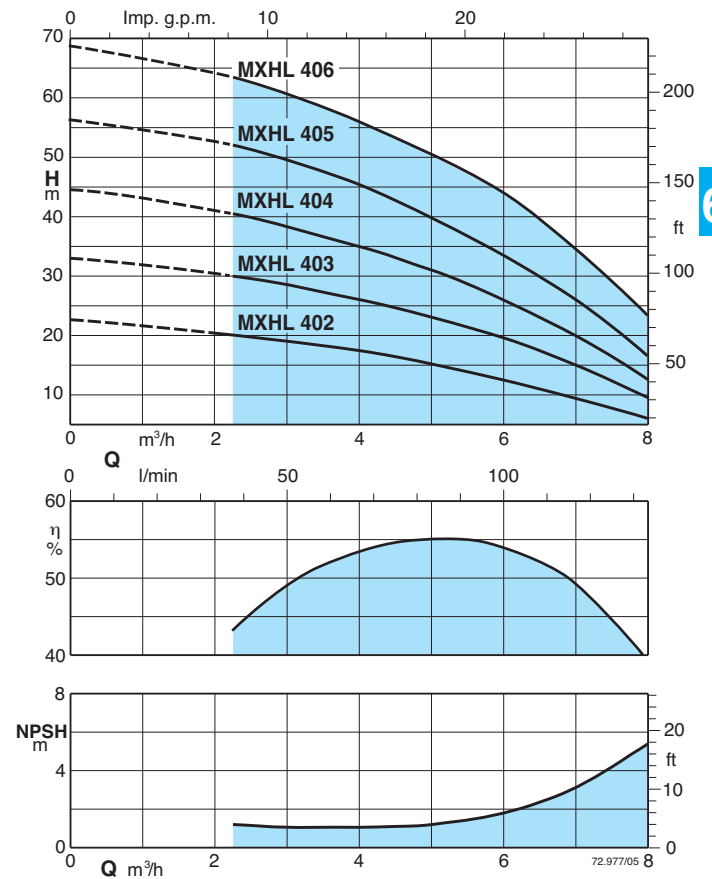
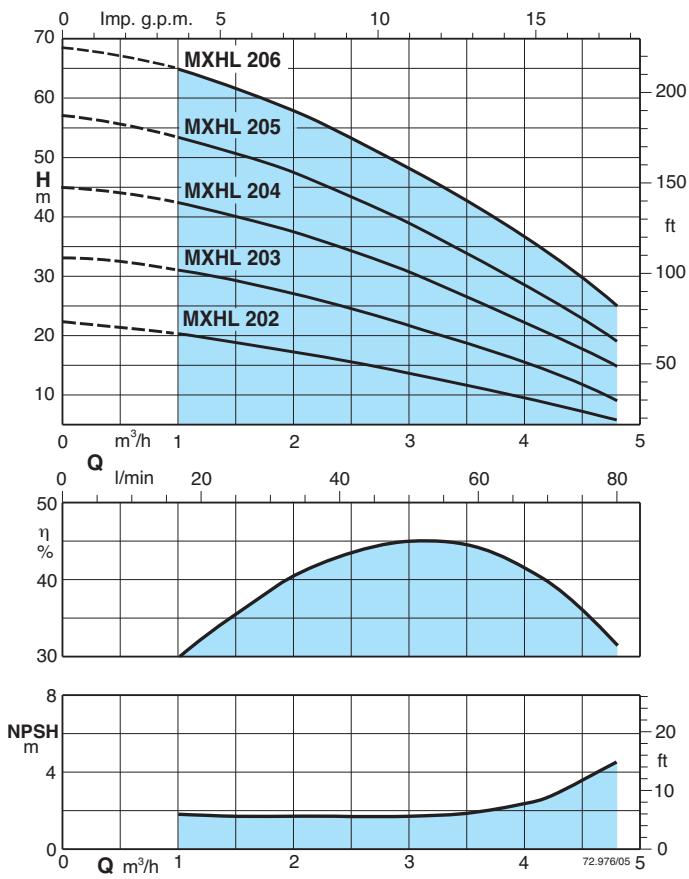
TYPE	DN1	DN2	mm				kg	
			fM	a	H	w1	MXHL	MXHLM
MXHL 202E - MXHLM 202E	G 1 1/4	G 1	331	94	176	98,5	6,8	6,9
MXHL 203E - MXHLM 203E	G 1 1/4	G 1	331	94	176	98,5	7,6	7,7
MXHL 204/A - MXHLM 204/A	G 1 1/4	G 1	381	118	193	112	10	11
MXHL 205/A - MXHLM 205/A	G 1 1/4	G 1	405	142	193	112	11,5	12,5
MXHL 402E - MXHLM 402E	G 1 1/4	G 1	331	94	176	98,5	7,6	7,7
MXHL 403/A - MXHLM 403/A	G 1 1/4	G 1	357	94	193	112	9,3	10,3
MXHL 404/A - MXHLM 404/A	G 1 1/4	G 1	381	118	193	112	10,8	11,8
MXHL 802/A - MXHLM 802/A	G 1 1/2	G 1	381	118	193	112	10,6	11,6



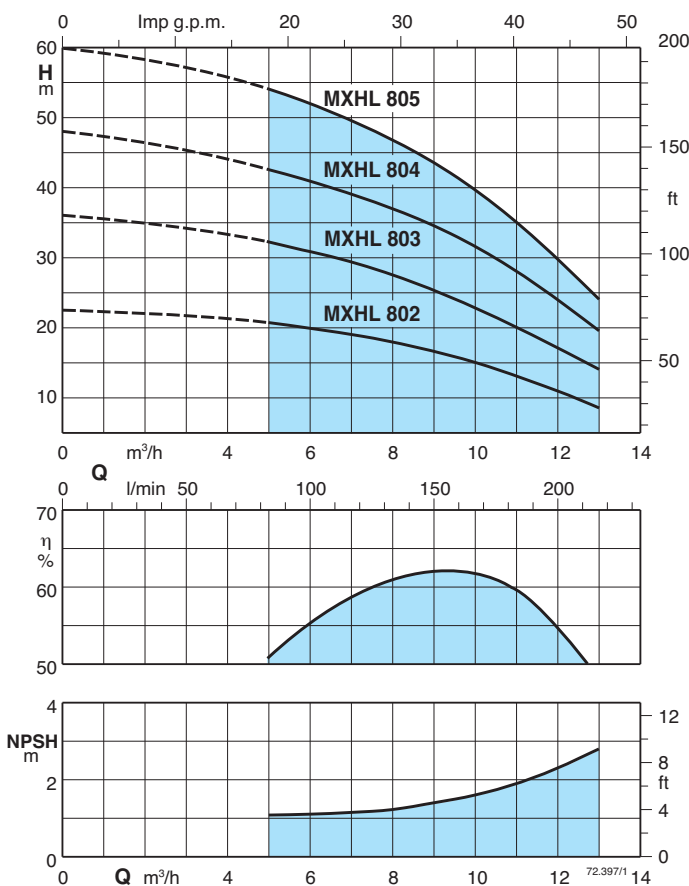
TYPE	DN1	DN2	mm			kg	
			fM	a	w1	MXHL	MXHLM
MXHL 206/B - MXHLM 206	G 1 1/4	G 1	500	166	167	18,5	18,6
MXHL 405/B - MXHLM 405	G 1 1/4	G 1	476	142	167	18	18
MXHL 406 - MXHLM 406	G 1 1/4	G 1	500	166	167	19,5	20,5
MXHL 803 - MXHLM 803	G 1 1/2	G 1	452	118	167	15,8	16,9
MXHL 804 - MXHLM 804	G 1 1/2	G 1	482	148	167	18,2	19,2
MXHL 805/A - MXHLM 805	G 1 1/2	G 1	552	178	207	21,4	22,4

(1) Filling (2) Draining

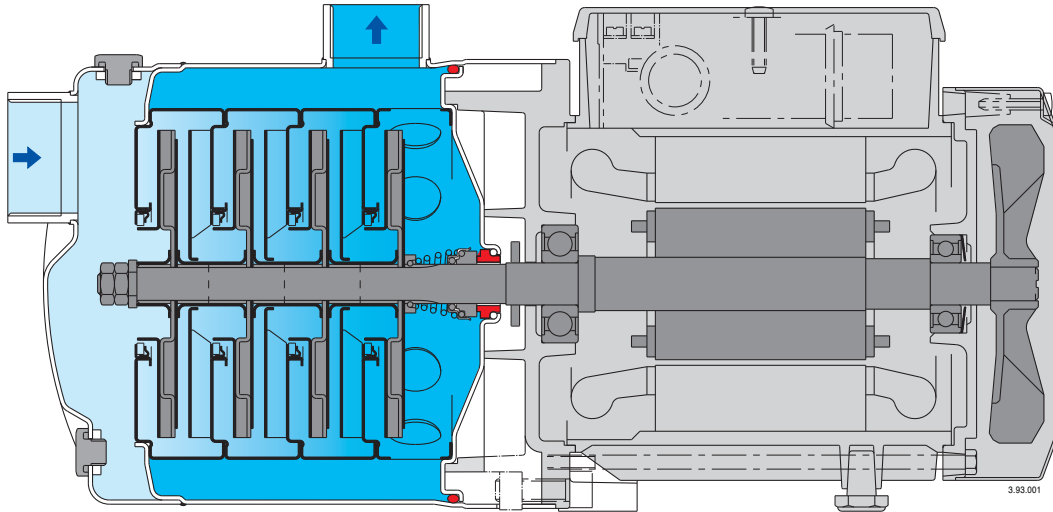
Characteristic curves $n \approx 2800$ rpm



6.1



Features



Extra safety

against running dry, with the suction port above pump axis.

Reliable

All hydraulic parts in contact with the pumped liquid are of stainless steel.
For liquids from -15 °C to 110 °C.

Robust

Single-piece, thick barrel casing.

Compact

Single-piece lantern bracket and base.
Without protruding flange.

Greater protection

against leakage, with the pump casing cover separated from the motor shield.
Possibility of inspecting the seal through the side apertures between the two walls.
Greater protection against water entering the motor from outside provided by an extension of the pump casing around the lantern bracket.



Construction

Horizontal multi-stage close coupled pumps in **chrome-nickel stainless steel**.

Compact and robust construction, with compact lantern bracket and motor with feet.

Single-piece barrel casing, with front suction port above pumps axis and radial delivery at top.

Filling and draining plugs on the middle of the pump, accessible from any side (like the terminal box).

Applications

For water supply.

For clean liquids, without abrasives, which are non-aggressive for stainless steel (with suitable seal materials, on request).

Universal pump, for civil and industrial applications, for garden use and irrigation.

Operating conditions

Liquid temperature from - 15 °C to + 110 °C.

Ambient temperature up to 40 °C.

Maximum permissible pressure in the pump casing: 10 bar.

Motor

2-pole induction motor, 50 Hz ($n \approx 2900$ rpm).

MXH: three-phase 230/400 V $\pm 10\%$ up to 3 kW;

400/690 V $\pm 10\%$ from 4 to 7,5 kW.

Insulation class F. Protection IP 54.

Motor suitable for operation with frequency converter.

Classification scheme IE2 up to 5,5 kW, IE3 for 7,5 kW.

Constructed in accordance with: EN 60034-1;

EN 60034-30.

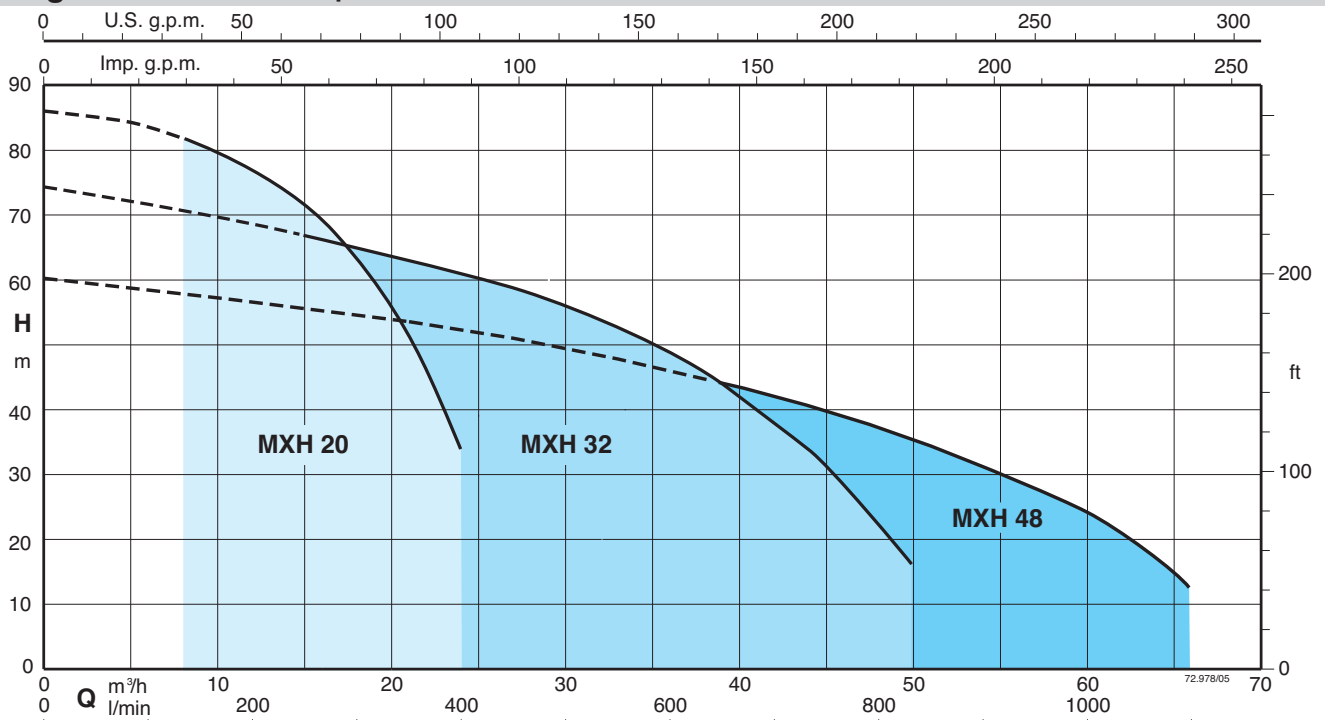
Special features on request

- Pump with Victaulic ports (MXH-V).
- Pump with flanged ports (MXH-F).
- Other voltages.
- Frequency 60 Hz (as per 60 Hz data sheet).
- Protection IP 55.
- Special mechanical seal
- Seal rings in FPM.
- Higher or lower ambient temperatures.

Materials

Component	Material
Pump casing	Chrome-nickel steel 1.4301 EN 10088 (AISI 304)
Stage casing	Chrome-nickel steel 1.4301 EN 10088 (AISI 304)
Wear ring	PTFE
Impeller	Chrome-nickel steel 1.4301 EN 10088 (AISI 304)
Casing cover	Chrome-nickel steel 1.4301 EN 10088 (AISI 304)
Spacer sleeve	Chrome-nickel steel 1.4301 EN 10088 (AISI 304)
Pump shaft	Chrome-nickel steel 1.4401 EN 10088 (AISI 316)
Plug	Chrome-nickel steel 1.4305 EN 10088 (AISI 303)
Mechanical seal with seat according to ISO 3069-KU	Ceramic alumina, carbon, EPDM (Other materials on request)

Coverage chart $n \approx 2900$ rpm



Performance n ≈ 2900 rpm

3 ~	230 V		400 V		P ₂		Q	m³/h										
	A	A	kW	HP	kW	HP		l/min	0	8	10	12	14	16	18	20	22	24
MXH 2001	4,6	2,7	1,1	1,5			H m	17	16	15,6	15	14,4	13,6	12,5	11	9	6,5	
MXH 2002	9,2	5,3	2,2	3				34	32	31,2	30,2	29	27,3	25	22	18	13	
MXH 2003	11,4	6,6	3	4				51	49	47,5	46	44	41,3	38	33	27	20	
MXH 2004	-	9,6	4	5,5				69	65	63	61	58,5	55	51	44,7	37	27	
MXH 2005	-	10,9	5,5	7,5				86	81	79	76	73	69	63	55	46	33	

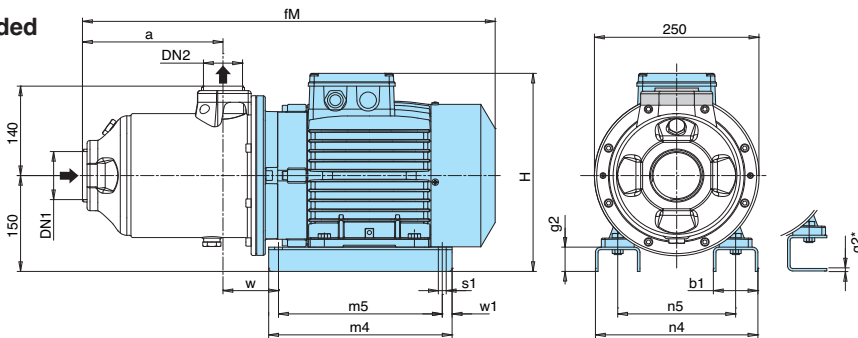
3 ~	230 V		400 V		P ₂		Q	m³/h										
	A	A	kW	HP	kW	HP		l/min	0	15	21	24	27	30	33	36	39	44
MXH 3201/A	9,2	5,3	2,2	3			H m	18,4	16,3	15,3	14,8	14	13	12	10,8	9,3	6	-
MXH 3202/A	-	9,6	4	5,5				37	33	31	30	28,5	27	25	23	20,5	15	7,5
MXH 3203/A	-	10,9	5,5	7,5				55,5	50	47	45,5	43	40,5	38	35	31	23	10
MXH 3204/A	-	14,3	7,5	10				74,5	67	63	61	59	56	53	49	44	34	16,5

3 ~	230 V		400 V		P ₂		Q	m³/h										
	A	A	kW	HP	kW	HP		l/min	0	21	27	33	39	45	48	51	54	60
MXH 4801/A	11,5	6,6	3	4			H m	20	18	17	16	14,5	12,5	11,5	10,5	9,5	7	-
MXH 4802/A	-	10,9	5,5	7,5				41	35,3	33	30,5	27,5	24,5	22,5	21	19	14	7,5
MXH 4803/A	-	14,3	7,5	10				60,5	53	50	46	42,5	38	35	32,5	29	22,5	16

P₂ Rated motor power output. Test results with clean cold water, without gas content. + 0,5 m security margin on NPSH-value is necessary.
Tolerances according to UNI EN ISO 9906:2012

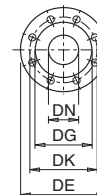
Dimensions and weights

Threaded ports MXH



TYPE	DN1	DN2	mm											kg	
			ISO 228		fM	a	H	m4	m5	n4	n5	w1	b1		s1
MXH 2001	G 2	G 1 1/2	467	127	280	205	175	170	130	15	54	10	95	6*	26
MXH 2002	G 2	G 1 1/2	507	127	280	205	175	170	130	15	54	10	95	6*	30
MXH 2003	G 2	G 1 1/2	540	146	290	205	175	180	140	15	54	10	112	6*	38
MXH 2004	G 2	G 1 1/2	574	180,5	290	205	175	180	140	15	54	54	112	6*	39
MXH 2005	G 2	G 1 1/2	630,5	215	310	280	250	258	190	15	68	68	84	38	50,5
MXH 3201/A	G 2 1/2	G 2	503,5	123	280	205	175	170	130	15	54	10	95	6*	29,4
MXH 3202/A	G 2 1/2	G 2	517,5	123	290	205	175	180	140	15	54	10	112	6*	38,5
MXH 3203/A	G 2 1/2	G 2	584,5	169	310	280	250	258	190	15	68	12	84	38	50
MXH 3204/A	G 2 1/2	G 2	630,5	215	310	280	250	258	190	15	68	12	84	38	57,5
MXH 4801/A	G 3	G 2 1/2	547,5	138,5	290	205	175	180	140	15	54	10	128,5	6*	38
MXH 4802/A	G 3	G 2 1/2	568,5	138,5	310	280	250	258	190	15	68	12	100	38	49,5
MXH 4803/A	G 3	G 2 1/2	630,5	200	310	280	250	258	190	15	68	12	100	38	58

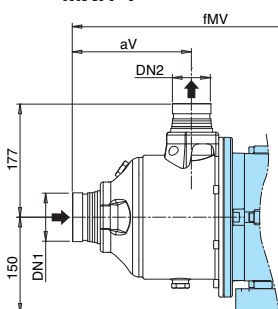
Flanges* EN 1092-2



DN	DE	DK	DG	Fori	
				N.	-
40	150	110	81	4	19
50	165	125	99	4	19
65	185	145	118	4	19
80	200	160	132	8	19

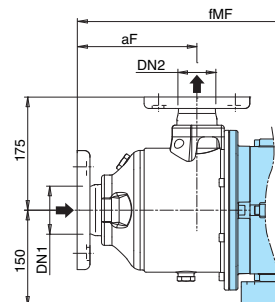
* ASME 150 lb (ex ANSI 150 lb)

Victaulic ports MXH-V



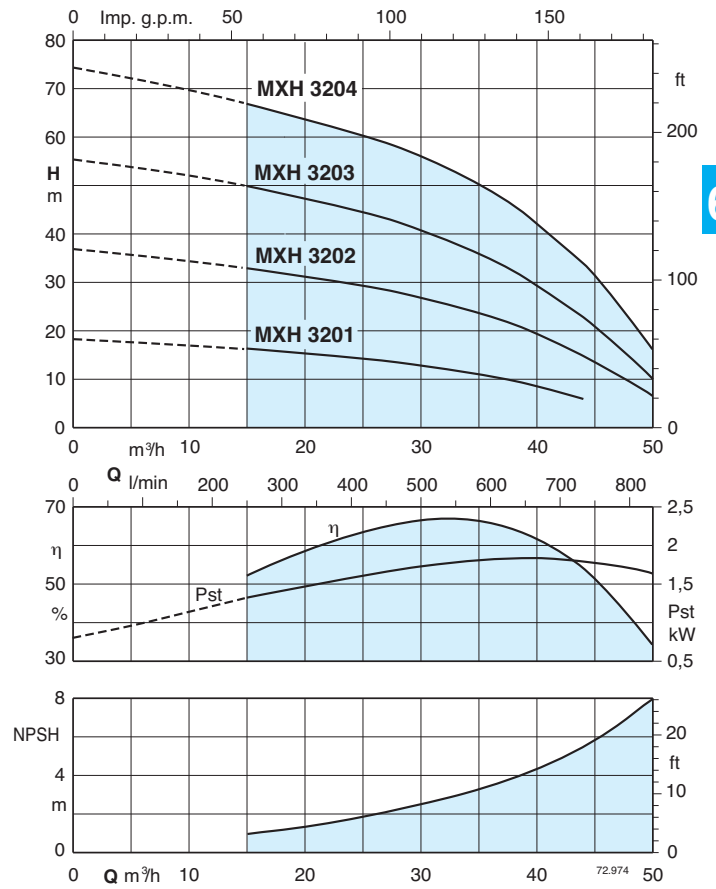
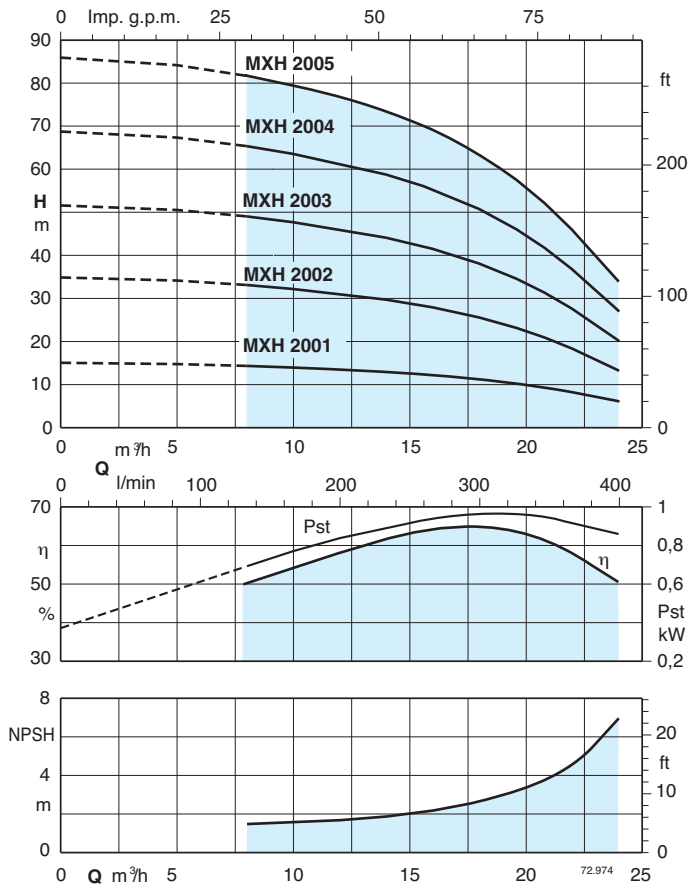
TYPE	DN1	DN2	mm	
			fMV	aV
MXH-V 2001	60,3 (DN50)	48,3 (DN40)	504	163,5
MXH-V 2002	60,3 (DN50)	48,3 (DN40)	544	163,5
MXH-V 2003	60,3 (DN50)	48,3 (DN40)	577	182,5
MXH-V 2004	60,3 (DN50)	48,3 (DN40)	611	217
MXH-V 2005	60,3 (DN50)	48,3 (DN40)	667	251,5
MXH-V 3201/A	76,1 (DN65)	60,3 (DN50)	541	160
MXH-V 3202/A	76,1 (DN65)	60,3 (DN50)	555	160
MXH-V 3203/A	76,1 (DN65)	60,3 (DN50)	622	206
MXH-V 3204/A	76,1 (DN65)	60,3 (DN50)	668	252
MXH-V 4801/A	88,9 (DN80)	76,1 (DN65)	585	175
MXH-V 4802/A	88,9 (DN80)	76,1 (DN65)	606	175
MXH-V 4803/A	88,9 (DN80)	76,1 (DN65)	668	237

Flanged ports MXH-F

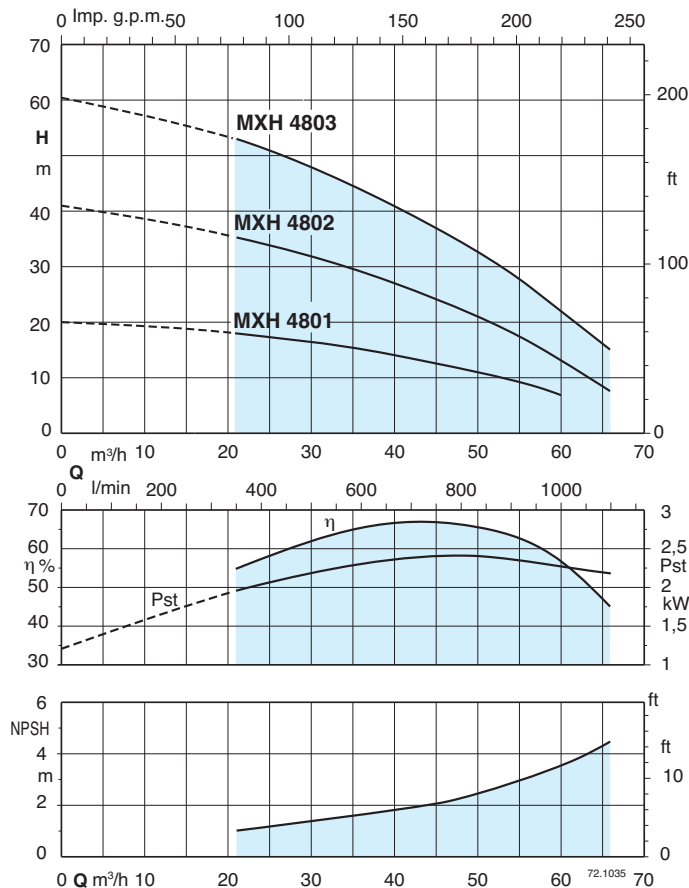


TYPE	DN1	DN2	mm	
			fMF	aF
MXH-F 2001	50	40	502	161,5
MXH-F 2002	50	40	542	161,5
MXH-F 2003	50	40	575	180,5
MXH-F 2004	50	40	624	230
MXH-F 2005	50	40	665	249,5
MXH-F 3201/A	65	50	531	151
MXH-F 3202/A	65	50	545	151
MXH-F 3203/A	65	50	612	197
MXH-F 3204/A	65	50	658	243
MXH-F 4801/A	80	65	565	156
MXH-F 4802/A	80	65	586	156
MXH-F 4803/A	80	65	648	218

Characteristic curves $n \approx 2900$ rpm



6.2



Designation

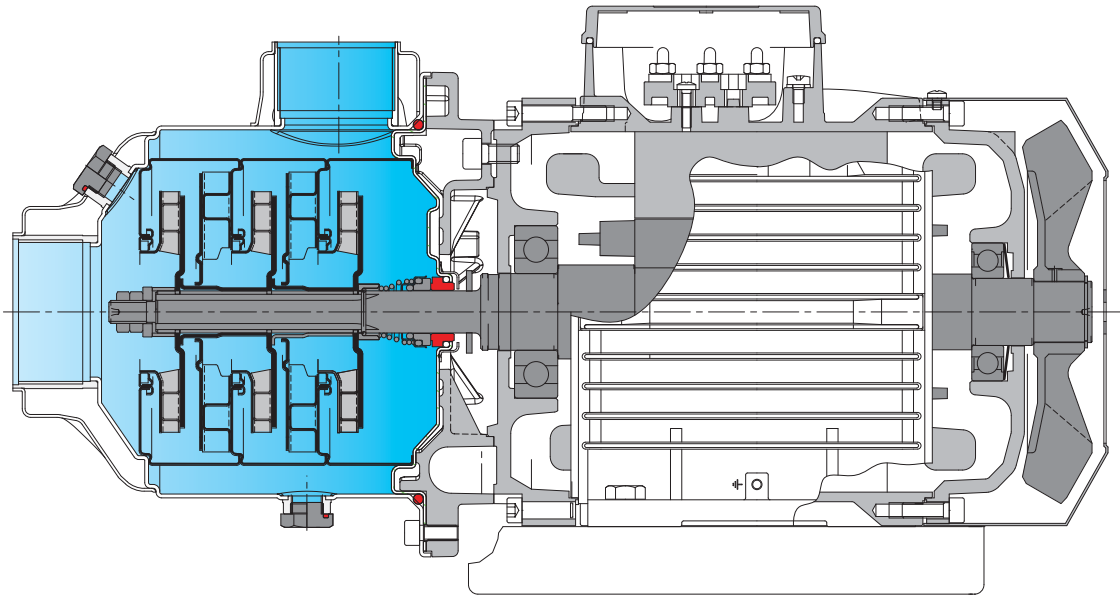
MXH-F 3204 *

- Series _____
- No code = threaded ports _____
- Victaulic ports _____ V
- Flanged ports _____ F
- Rated capacity in m^3/h _____
- Number of stages _____

Construction variants

- special seal code (no code = standard seal) _____

Features



Flexibility

Three versions of ports: threaded, flanged and Victaulic.

Extra safety

With front axis suction port for optimum suction conditions.

Reliable

All hydraulic parts in contact with the pumped liquid are made in stainless steel.
For liquids from -15 °C to 110 °C.

Robust

Single-piece, thick barrel casing, open on one side only, with reinforced threaded ports.

Compact

The bracket between pump and motor is extremely compact.

Greater protection

Against leakage, with the pump casing cover separated from the motor shield.
Possibility of inspecting the seal through the side apertures between the two walls.