

SME

motralec

4 rue Lavoisier . ZA Lavoisier . 95223 HERBLAY CEDEX
 Tel. : 01.39.97.65.10 / Fax. : 01.39.97.68.48
 Demande de prix / e-mail : service-commercial@motralec.com
www.motralec.com



Single-channel closed impeller

General characteristics

- Single-channel closed impeller
- 1,5 kW motor power
- 2 poles
- GAS 2" - DN80 horizontal delivery port
- max 50 mm free passage

Electromechanical assembly

Electromechanical assembly in GJL-250 cast iron, for submerged operation. Seal set comprising 1 (one) silicon carbide mechanical seal and 1 (one) lip seal. Ecological dry motor. Separate pump body. Series not available in explosion-proof version.

Applications

Suitable for pumping wastewater in small sewer systems, livestock farms, the food industry, agriculture and irrigation.

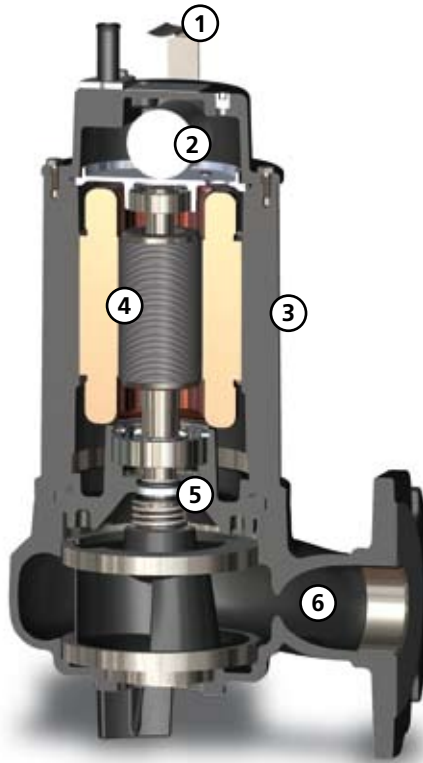
Construction materials

Case	Cast Iron EN-GJL 250
Impeller	Cast iron EN-GJL-250
Nuts and bolts	Stainless Steel - Class A2-70
Standard gasket	Rubber - NBR
Shaft	Stainless Steel - AISI 420
Set of standard mechanical seals	One Silicon carbide mechanical seal (SiC)

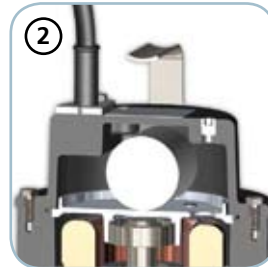
operating limits

Maximum operating temperature	40 °C
PH of treated fluid	6 to 10 pH
Viscosity of treated fluid	1 mm ² /s
Maximum immersion depth	20 m
Density of treated fluid	1 Kg/dm ³
Maximum acoustic pressure	70 dB
max starts per hour	20

Models available in IECEx certified version



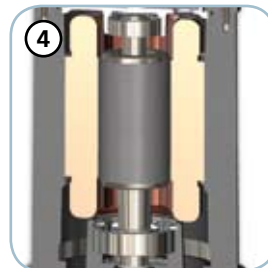
1 Handle
AISI 304 stainless steel lifting and carrying handle



2 Capacitor/relay
Integral capacitor for single-phase models (relay for three-phase models)



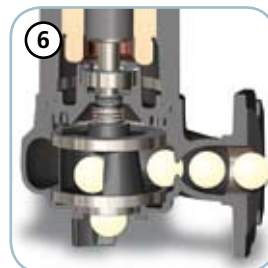
3 Structure
Constructed in GJL-250 cast iron



4 Motor
Ecological dry motor with thermal overloads



5 Mechanical seals
One mechanical seal in silicon carbide (SiC)



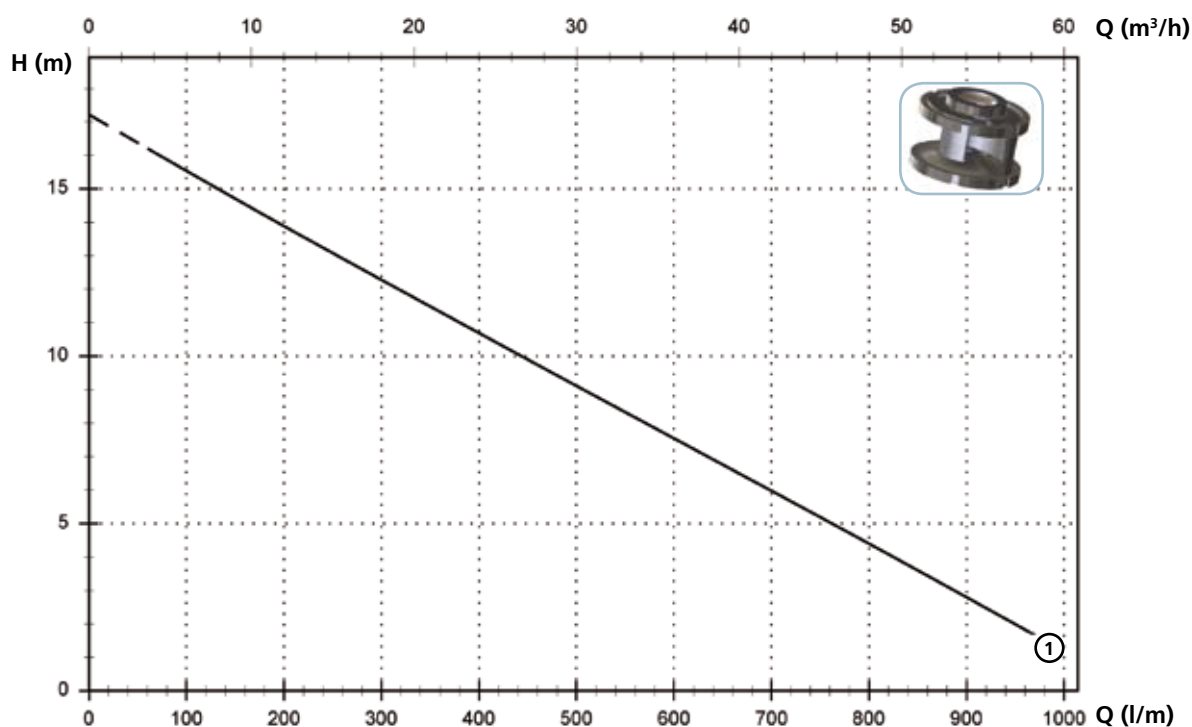
6 Free passage
Ample free passage allowing the expulsion of solids and preventing fouling of the impeller

SME

Models with horizontal GAS 2" threaded and DN80 PN10 flanged delivery port - 2 poles

Performances

	l/s	0	2	4	6	8	10	12	14	16
	l/min	0	120	240	360	480	600	720	840	960
	m ³ /h	0	7,2	14,4	21,6	28,8	36,0	43,2	50,4	57,6
① SME 200/2/G50H A0CM(T)/50		16,8	15,2	13,2	11,3	9,4	7,5	5,7	3,8	1,8



Technical data

	V	Phases	P1 (kW)	P2 (kW)	A	Rpm	Ø	Cable (*)	Free passage
① SME 200/2/G50H A0CM/50	230	1	1.8	1.5	9.3	2900	G 2"- DN80 PN10	A	50 mm

	V	Phases	P1 (kW)	P2 (kW)	A	Rpm	Ø	Cable (*)	Free passage
① SME 200/2/G50H A0CT/50	400	3	2.0	1.5	3.5	2900	G2"- DN80 PN10	B	50 mm

(*) A = H07RN-F 3G1 - 5 m cable length. Optional 10 m cable length with schuko plug.

B = H07RN-F 4G1 - 10 m cable length

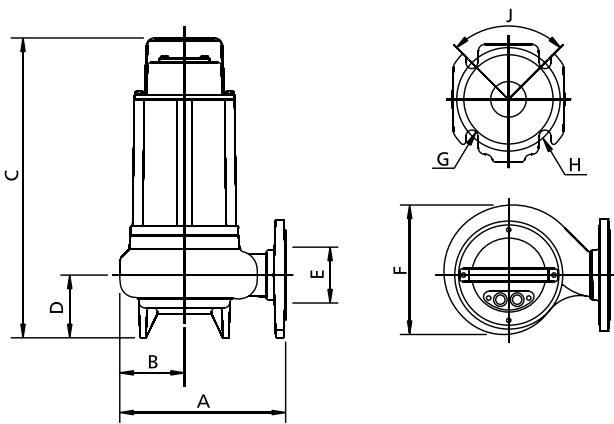
Attention: Standard EN 60335-2-41 requires the use of a 10 m cable length in outdoor applications

Versions available

(Key to versions on page 15)

	Electrical variants											Cooling		Mechanical seals							
	N A E	T	T C	T C D	T C D T	T C D G T	T C G	T C S T	T C S G T	T S	T R	T R G	F T	C G F T	N	CC	2SIC	SICM	SICAL	2SICAL	
SME 200/2/G50H A0CM/50			●				●								●				●		
SME 200/2/G50H A0CT/50										●	●				●					●	

Overall dimensions and weights



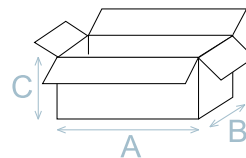
	A	B	C	D	E	F	G	H	J	kg
SME 200/2/G50H A0CM(T)/50	255	100	465	95	G 2"	200	18	160	90°	31

Measurements in mm

Packaging dimension

	A	B	C
SME 200/2/G50H A0CM(T)/50	725	445	415

Dimension in mm



Installations available

