

APP**motralec**

4 rue Lavoisier . ZA Lavoisier . 95223 HERBLAY CEDEX
 Tel. : 01.39.97.65.10 / Fax. : 01.39.97.68.48
 Demande de prix / e-mail : service-commercial@motralec.com
www.motralec.com



High head impeller

General characteristics

- High head impeller
- 7,2 ÷ 10 kW motor power
- 2 poles
- GAS 2"- DN32 horizontal delivery port
- 10 mm free passage

Electromechanical assembly

Electromechanical assembly in GJL-250 cast iron, for submerged operation. Seal set comprising 2 (two) silicon carbide mechanical seals installed in series in inspectable oil sump and 1 (one) opposed graphite-alumina lip seal lubricated by the motor oil. Oil bath motor. Separate pump body. Series not available in explosion-proof version.

Applications

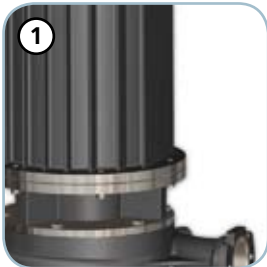
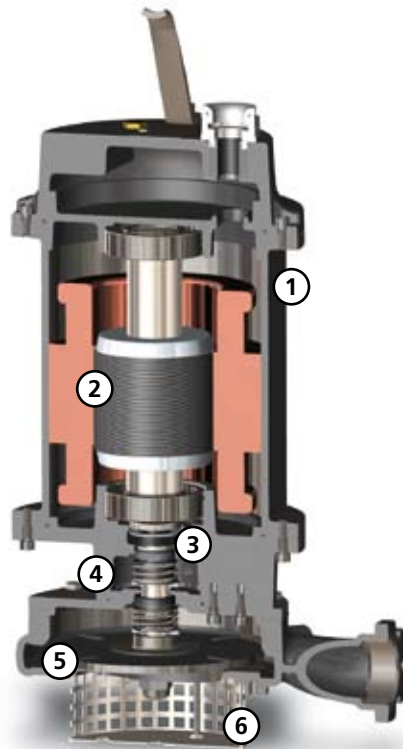
Used for clear and sandy wastewater, rainwater and seepage. The considerable manometric head guarantees excellent results for the creation of water features and decorative fountains; suitable for use in agriculture, irrigation and the fish processing sector.

Construction materials

Case	Cast Iron EN-GJL 250
Impeller	Cast iron EN-GJL-250
Nuts and bolts	Stainless Steel - Class A2-70
Standard gasket	Rubber - NBR
Shaft	Stainless Steel - AISI 420
Cooling jacket	Carbon Steel - Fe360 ÷ Fe370
Set of standard mechanical seals	Two Silicon carbide mechanical seals (SiC) and One Carbon-Aluminium oxide mechanical seal (AL)

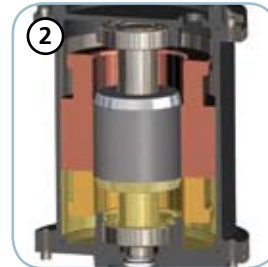
operating limits

Maximum operating temperature	40 °C
PH of treated fluid	6 to 10 pH
Viscosity of treated fluid	1 mm ² /s
Maximum immersion depth	20 m
Density of treated fluid	1 Kg/dm ³
Maximum acoustic pressure	70 dB
max starts per hour	20



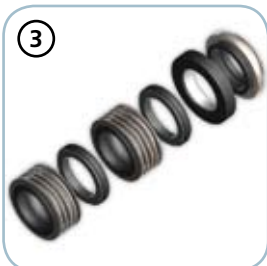
Structure

Constructed in GJL-250 cast iron



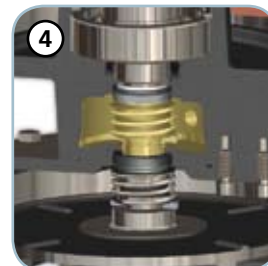
Motor

Oil-bath motor with thermal overloads



Mechanical seals

Two mechanical seals in silicon carbide (SiC) and one mechanical seal in alumina graphite (AL) for maximum reliability even in heavy-duty applications



Oil sump

Large oil sump to guarantee longer mechanical seal lifetime



Anti-clogging system

The special design of the hydraulic part ensures the expulsion of suspended solids and prevents fouling of the impeller



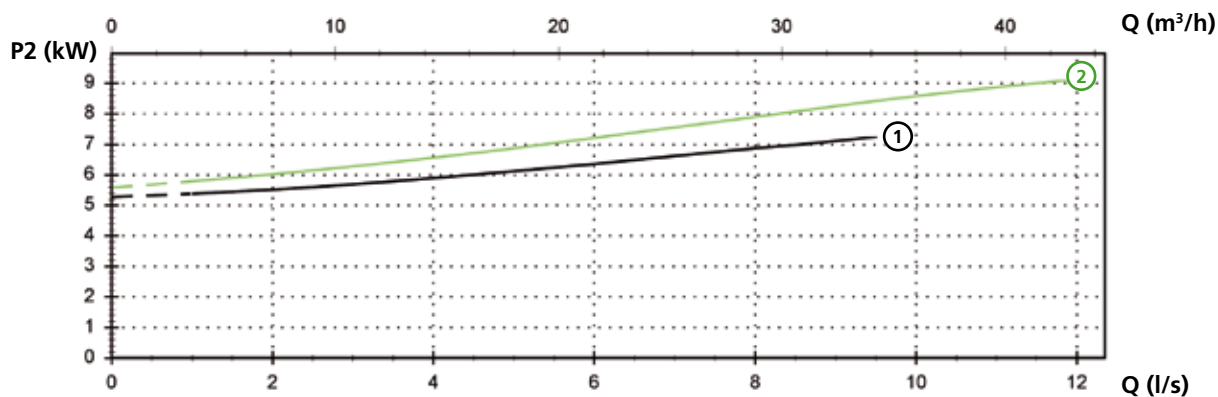
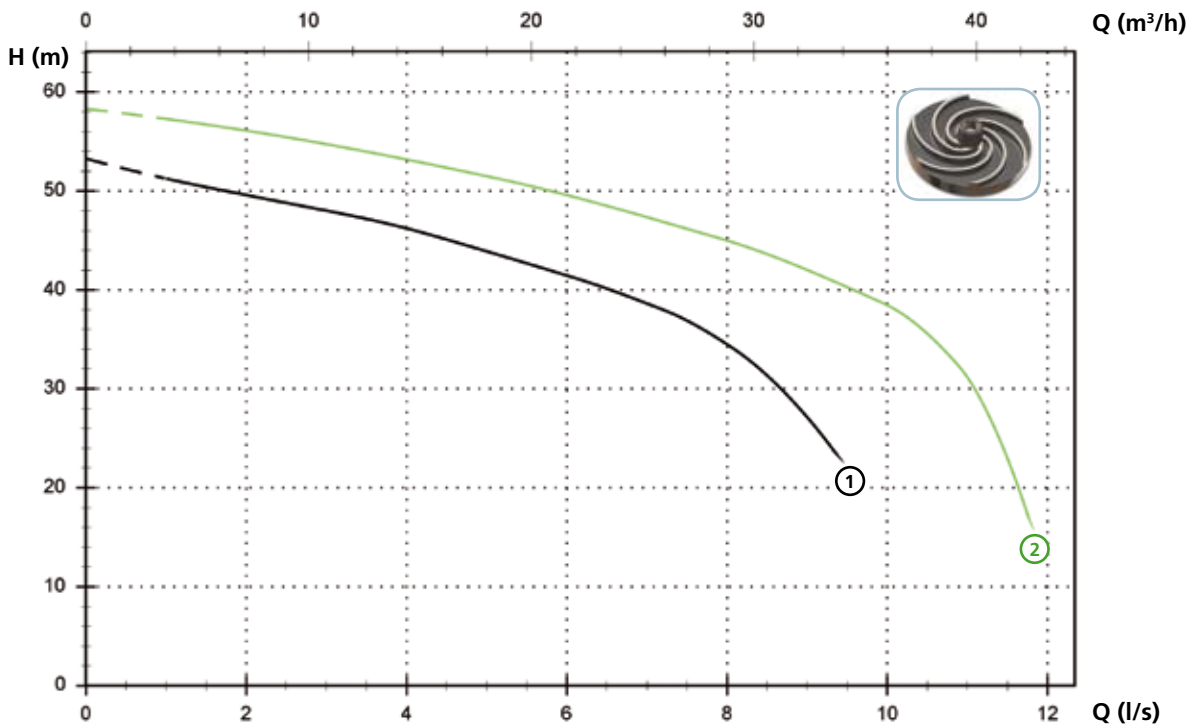
Intake strainer

Intake strainer in stainless steel

APP

Models with horizontal GAS 2" threaded - DN32 PN6 flanged delivery port - 2 poles

Performances



Technical data

	V	Phases	P1 (kW)	P2 (kW)	A	Rpm	Ø	Cable (*)	Free passage
① APP 750/2/G50H A0HT/50	400	3	8.8	7.2	14.5	2900	G 2"- DN32 PN6	A	10 mm
② APP 1000/2/G50H A1HT/50	400	3	12.4	10	19.8	2900	G 2"- DN32 PN6	A	10 mm

(*) A = 07RN-F 7G1.5+3x0.75 - 10 m

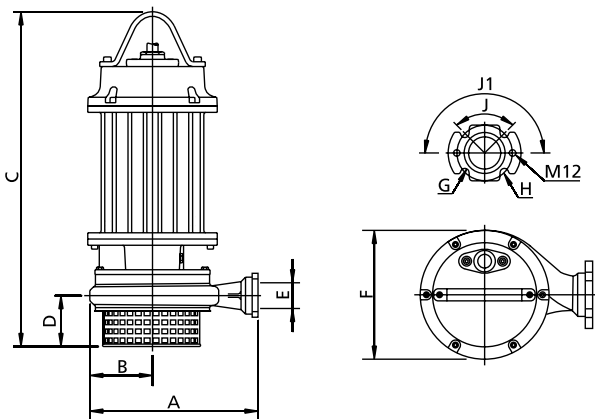
Electrical and mechanical features are equal to the cable H07RN-F

Versions available

(Key to versions on page 15)

	Electrical variants											Cooling		Mechanical seals							
	N A E	T	T C	T C D	T C D T	T C D G T	T C G	T C S T	T C S G T	T S	T R	T R G	F T	C G F T	N	CC	2SIC	SICM	SICAL	2SICAL	
APP 750/2/G50H A0HT/50		●								●					●	●					●
APP 1000/2/G50H A1HT/50		●								●					●	●					●

Overall dimensions and weights



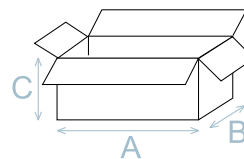
	A	B	C	D	E	F	G	H	J	J1	kg
APP 750/2/G50H A0HT/50	355	135	635	45	G 2"	270	14	90	90°	180°	90
APP 1000/2/G50H A1HT/50	355	135	650	45	G 2"	270	14	90	90°	180°	96

Measurements in mm

Packaging dimension

	A	B	C
APP 750/2/G50H A0HT/50	725	445	415
APP 1000/2/G50H A1HT/50	725	445	415

Dimension in mm



Installations available

