

APE

motralec

4 rue Lavoisier . ZA Lavoisier . 95223 HERBLAY CEDEX
 Tel. : 01.39.97.65.10 / Fax. : 01.39.97.68.48
 Demande de prix / e-mail : service-commercial@motralec.com
www.motralec.com



High head impeller

General characteristics

- High head impeller
- 1,5 kW motor power
- 2 poles
- GAS 2" - DN32 horizontal delivery port
- 7 mm free passage

Electromechanical assembly

Electromechanical assembly in GJL-250 cast iron, for submerged operation. Seal set comprising 1 (one) silicon carbide mechanical seal and 1 (one) lip seal. Ecological dry motor. Separate pump body. Series not available in explosion-proof version.

Applications

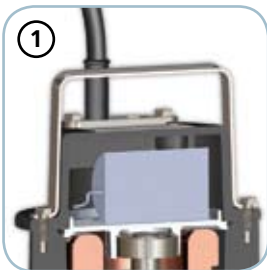
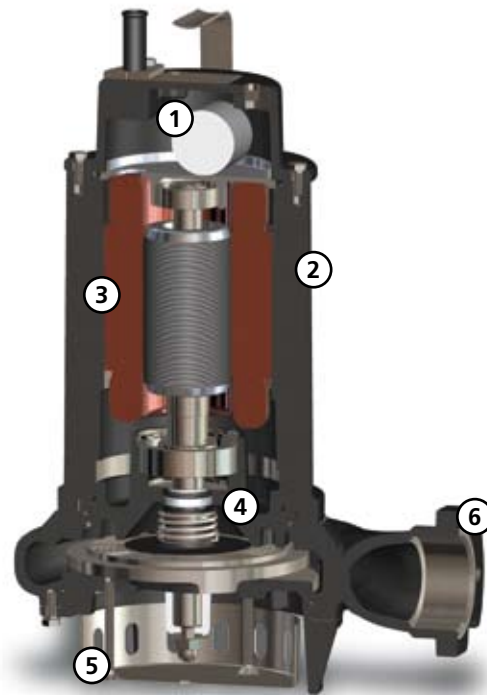
Used for clear wastewater, rainwater and seepage containing small amounts of sand. The considerable manometric head makes these units suitable for irrigation and the fish processing sector.

Construction materials

Case	Cast Iron EN-GJL 250
Impeller	Cast iron EN-GJL-250
Nuts and bolts	Stainless Steel - Class A2-70
Standard gasket	Rubber - NBR
Shaft	Stainless Steel - AISI 420
Set of standard mechanical seals	One Silicon carbide mechanical seal (SiC)

operating limits

Maximum operating temperature	40 °C
PH of treated fluid	6 to 10 pH
Viscosity of treated fluid	1 mm ² /s
Maximum immersion depth	20 m
Density of treated fluid	1 Kg/dm ³
Maximum acoustic pressure	70 dB
max starts per hour	20



①

Capacitor/relay

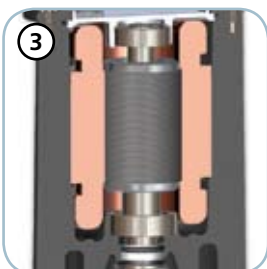
Integral capacitor for single-phase models (relay for three-phase models)



②

Structure

Constructed in GJL-250 cast iron



③

Motor

Ecological dry motor with thermal overloads



④

Mechanical seals

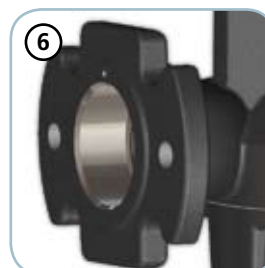
One mechanical seal in silicon carbide (SiC)



⑤

Intake strainer

Intake strainer in stainless steel



⑥

Delivery port

Threaded, flanged delivery port for the maximum ease of installation

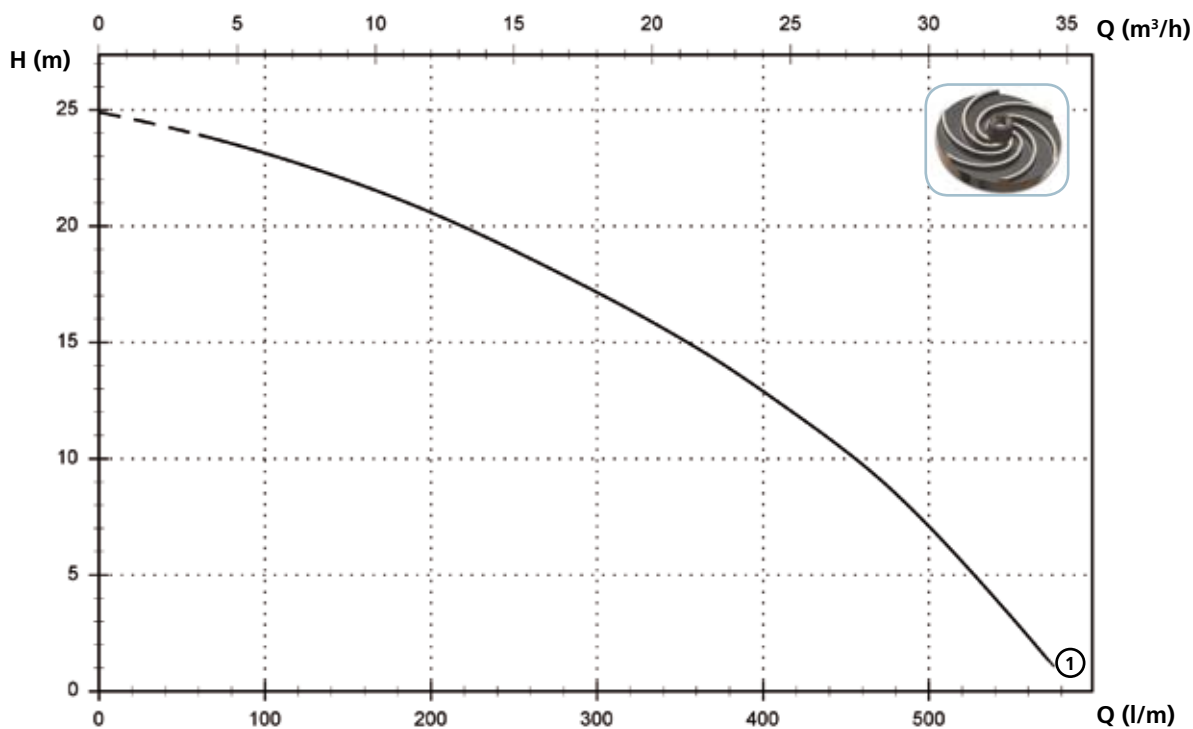


APE

Models with horizontal GAS 2" threaded - DN32 PN6 flanged delivery port - 2 poles

Performances

	l/s	0	1	2	3	4	5	6	7	8	9
	l/min	0	60	120	180	240	300	360	420	480	540
	m ³ /h	0	3,6	7,2	10,8	14,4	18,0	21,6	25,2	28,8	32,4
① APE 200/2/G50H A0CM(T)/50		24,9	23,9	22,7	21,2	19,3	17,2	14,8	11,9	8,5	4,0



Technical data

	V	Phases	P1 (kW)	P2 (kW)	A	Rpm	Ø	Cable (*)	Free passage
① APE 200/2/G50H A0CM/50	230	1	-	1.7	10.6	2900	G 2"- DN32 PN6	A	7 mm

	V	Phases	P1 (kW)	P2 (kW)	A	Rpm	Ø	Cable (*)	Free passage
① APE 200/2/G50H A0CT/50	400	3	-	1.7	3.8	2900	G 2"- DN32 PN6	B	7 mm

(*) A = H07RN-F 3G1 - 5 m cable length. Optional 10 m cable length with schuko plug.

B = H07RN-F 4G1 - 10 m cable length

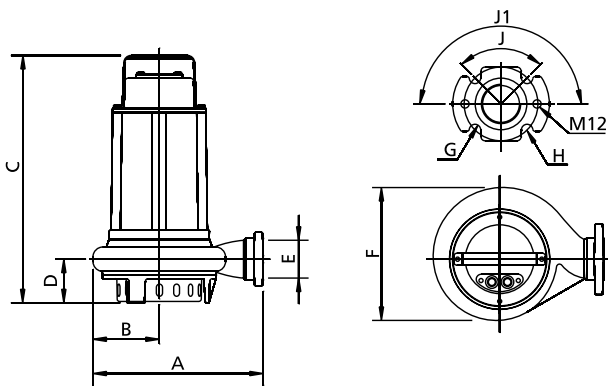
Attention: Standard EN 60335-2-41 requires the use of a 10 m cable length in outdoor applications

Versions available

(Key to versions on page 15)

	Electrical variants											Cooling		Mechanical seals						
	N A E	T	T C	T C D	T C D T	T C D G T	T C G	T C S T	T C S G T	T S	T R	T R G	T F	C G F T	N	CC	2SIC	SICM	SICAL	2SICAL
APE 200/2/G50H A0CM/50			●				●								●			●		
APE 200/2/G50H A0CT/50										●	●				●			●		

Overall dimensions and weights



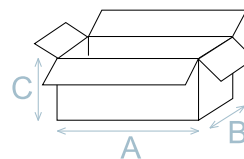
	A	B	C	D	E	F	G	H	J	J1	kg
APE 200/2/G50H A0CM(T)/50	285	110	410	75	G 2"	220	14	90	90°	180°	26

Measurements in mm

Packaging dimension

	A	B	C
APE 200/2/G50H A0CM(T)/50	475	285	235

Dimension in mm



Installations available

