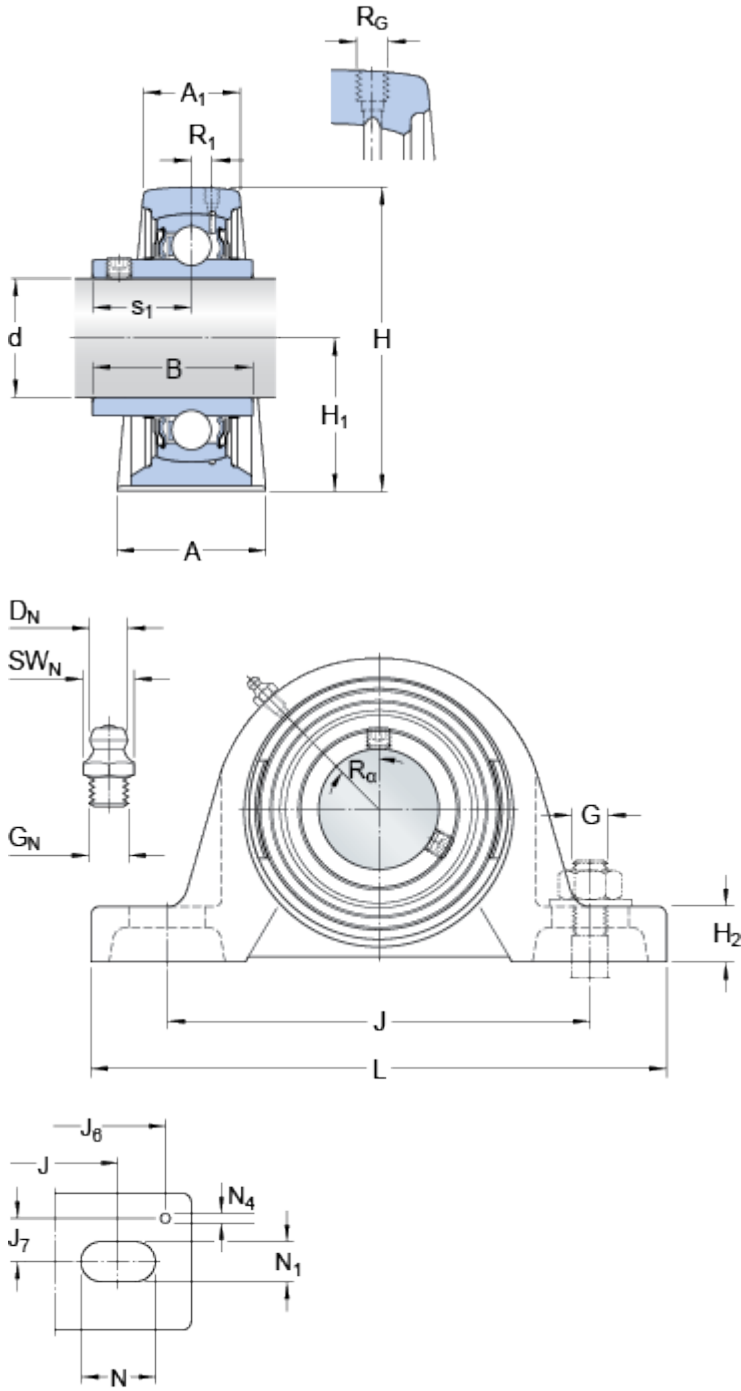


SYJ 50 TF

Material

Cast iron

Dimensions



d	50	mm
A	58	mm
A ₁	38	mm
B	51.6	mm
H	114	mm
H ₁	57.2	mm
H ₂	22	mm
J	157.5	mm
J	max. 164	mm
J	min. 151	mm
L	206	mm
N	26.5	mm
N ₁	20	mm
s ₁	32.6	mm

Threaded hole

R _G	1/4-28 UNF	
R ₁	3.5	mm
R _α	45	°

Grease fitting

D _N	6.5	mm
SW _N	7	mm
G _N	1/4-28 SAE-LT	

Dowel pins

J ₆	190	mm
J ₇	21	mm
N ₄	4	mm

Calculation data

Basic dynamic load rating	C	35.1	kN
Basic static load rating	C_0	23.2	kN
Fatigue load limit	P_u	0.98	kN
Limiting speed (with shaft tolerance h6)		4000	r/min

Mass

Mass bearing unit		2.75	kg
-------------------	--	------	----

Mounting information

Hexagonal key size for grub screw	N	5	mm
Recommended tightening torque for grub screw		16.5	N·m
Recommended diameter for attachment bolts, mm	G	16	mm
Recommended diameter for attachment bolts, inch	G	0.625	in

Appertaining products

Housing		SYJ 510
Bearing		YAR 210-2F