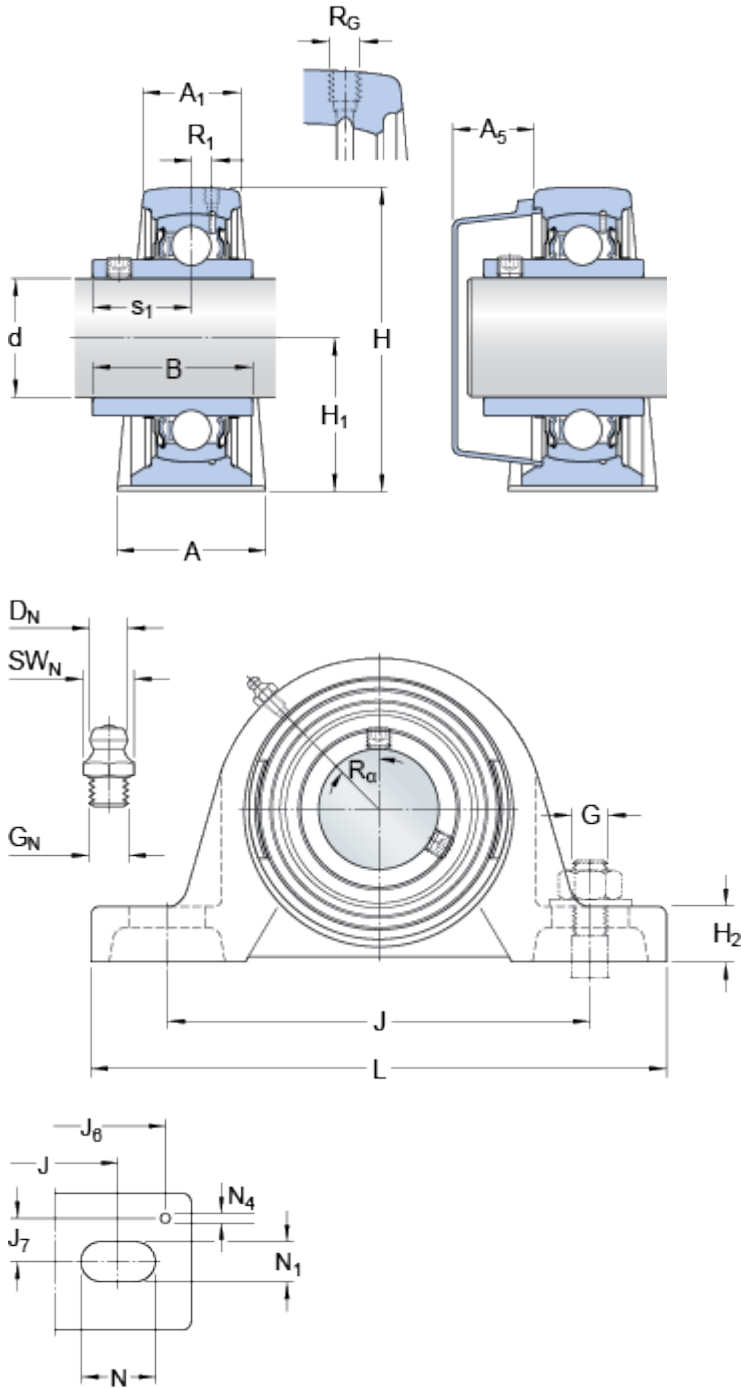


SY 1. TF

Material

Cast iron

Dimensions



| | | |
|----------------|----------|----|
| d | 25.4 | mm |
| A | 36 | mm |
| A ₁ | 22 | mm |
| A ₅ | 18 | mm |
| B | 34.1 | mm |
| H | 70 | mm |
| H ₁ | 36.5 | mm |
| H ₂ | 16 | mm |
| J | 102 | mm |
| J | max. 110 | mm |
| J | min. 94 | mm |
| L | 130 | mm |
| N | 19.5 | mm |
| N ₁ | 11.5 | mm |
| s ₁ | 19.8 | mm |

Threaded hole

| | | |
|----------------|------------|----|
| R _G | 1/4-28 UNF | |
| R ₁ | 2 | mm |
| R _α | 45 | ° |

Grease fitting

| | | |
|-----------------|---------------|----|
| D _N | 6.5 | mm |
| SW _N | 7 | mm |
| G _N | 1/4-28 SAE-LT | |

Dowel pins

| | | |
|----------------|-----|----|
| J ₆ | 120 | mm |
| J ₇ | 13 | mm |

Calculation data

| | | | |
|---|----------------|-------|-------|
| Basic dynamic load rating | C | 14 | kN |
| Basic static load rating | C ₀ | 7.8 | kN |
| Fatigue load limit | P _u | 0.335 | kN |
| Limiting speed (with shaft tolerance h6) | | 7000 | r/min |

Mass

| | | | |
|-------------------|--|------|----|
| Mass bearing unit | | 0.72 | kg |
|-------------------|--|------|----|

Mounting information

| | | | |
|---|---|-------|-----|
| Hexagonal key size for grub screw | N | 3.175 | mm |
| Recommended tightening torque for grub screw | | 4 | N·m |
| Recommended diameter for attachment bolts, mm | G | 10 | mm |
| Recommended diameter for attachment bolts, inch | G | 0.375 | in |

Appertaining products

| | | |
|---------|--|----------------|
| Housing | | SY 505 M |
| Bearing | | YAR 205-100-2F |

Appropriate products

| | | |
|-----------|--|---------|
| End cover | | ECY 205 |
|-----------|--|---------|