

EN  
NEW

MC



 **PEDROLLO**<sup>®</sup>  
... the spring of life

## NEW

New version of the MC series, totally redesigned, made more reliable with the introduction of double mechanical seals and Epoxy Electrocoating Treatment of all cast iron parts. This treatment guarantees high resistance to oxidation.

### TECHNICAL CHARACTERISTICS

- ▶ Double mechanical seals
- ▶ All cast iron parts subjected to Epoxy Electrocoating Treatment
- ▶ Stainless steel double-channel type impeller
- ▶ Precision cast stainless steel handle
- ▶ New capacitor housing with stainless steel cover for easier maintenance
- ▶ Float switch equipped with patented tilting system (patented)

### INSTALLATION AND USE

MC series pumps, made from heavy gauge cast iron offering exceptional sturdiness, abrasion resistance and durability, come equipped with a DOUBLE-CHANNEL impeller and are capable of pumping liquids containing short fibred suspended solids up to Ø 50 mm.

They are ideal for pumping **sewage, waste water, water mixed with mud, groundwater and surface water**

### APPLICATION LIMITS

- 10 m maximum immersion depth
- Maximum liquid temperature +40 °C
- Passage of suspended solids up to Ø 50 mm
- Minimum immersion depth for continuous service:
  - up to 305 mm for MC10/45-N
  - up to 320 mm for MC15/45-N

### STANDARD SUPPLY

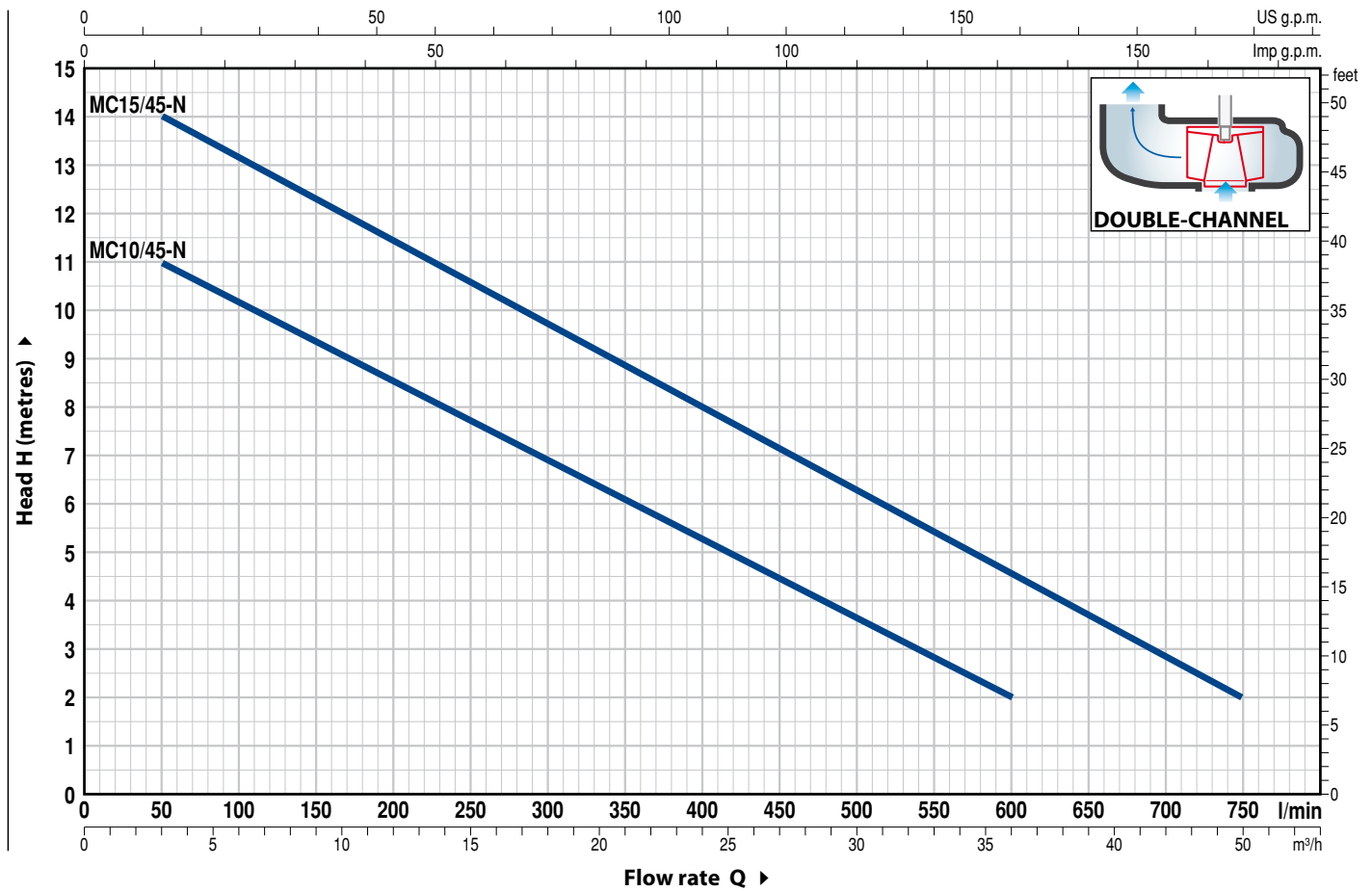
- Complete with 10 m long power cable
- Float switch for single-phase versions

### PATENTS - MODELS

- Float switch equipped with patented tilting system (patented)
- Model registered

## CHARACTERISTIC CURVES AND PERFORMANCE DATA

50 Hz n = 2900 1/min



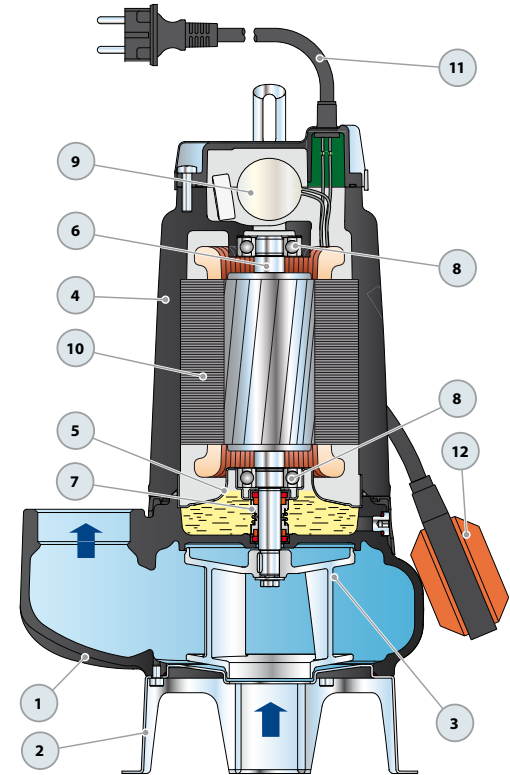
MODEL		POWER		Q	Flow rate										
Single-phase	Three-phase	kW	HP		m³/h	0	3	6	12	18	24	30	36	42	45
MCm 10/45-N	MC 10/45-N	0.75	1	l/min	0	50	100	200	300	400	500	600	700	750	
MCm 15/45-N	MC 15/45-N	1.1	1.5	H metres	15	14	13	11.5	9.7	8	6.3	4.6	2.9	2	

Q = Flow rate H = Total manometric head

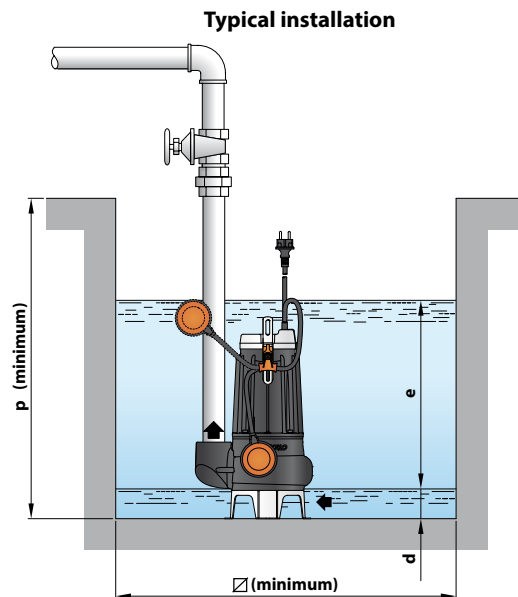
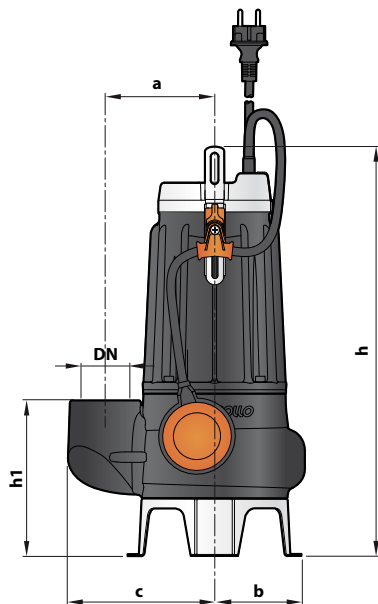
Tolerance of characteristic curves in compliance with EN ISO 9906 Grade 3.

**POS. COMPONENT CONSTRUCTION CHARACTERISTICS**

<b>1 PUMP BODY</b>	Cast iron subjected to Epoxy Electrocoating Treatment, with threaded port in compliance with ISO 228/1				
<b>2 BASE</b>	Stainless steel AISI 304				
<b>3 IMPELLER</b>	Stainless steel AISI 304 DOUBLE-CHANNEL type				
<b>4 MOTOR CASING</b>	Cast iron subjected to Epoxy Electrocoating Treatment				
<b>5 MOTOR CASING PLATE</b>	Stainless steel AISI 304				
<b>6 MOTOR SHAFT</b>	Stainless steel EN 10088-3 - 1.4104				
<b>7 SHAFT WITH DOUBLE MECHANICAL SEAL SEPARATED BY AN OIL CHAMBER</b>					
<i>Seal Model</i>	<i>Shaft Diameter</i>	<i>Stationary ring</i>	<i>Materials</i>		<i>Elastomer</i>
<b>MG1-14D SIC</b>	<b>Ø 14 mm</b>	Silicon carbide	Silicon carbide		NBR
<b>8 BEARINGS</b>	<b>6203 ZZ / 6203 ZZ</b>				
<b>9 CAPACITOR</b>					
<i>Pump Single-phase</i>	<i>Capacitance (230 V or 240 V)</i>				<i>(110 V)</i>
<b>MCm 10/45-N</b>	<b>20 µF 450 VL</b>	<b>30 µF 250 VL</b>			
<b>MCm 15/45-N</b>	<b>25 µF 450 VL</b>	-			
<b>10 ELECTRIC MOTOR</b>	- Single-phase 230 V - 50 Hz with thermal overload protector built-in to the winding - Three-phase 400 V - 50 Hz - Insulation: F class - Protection: IP X8				
<b>11 POWER CABLE</b>	<b>10 metre</b> long "H07 RN-F" cable (with Schuko plug on single-phase versions only)				
<b>12 FLOAT SWITCH</b>	(only for single-phase versions)				



**DIMENSIONS**



MODEL		PORT DN	solids passage	DIMENSIONS mm								
Single-phase	Three-phase			a	b	c	h	h1	d	e	p	Ø
MCm 10/45-N	MC 10/45-N	2"	Ø 50 mm	115	95	155	413	164	60	variable	500	500
MCm 15/45-N	MC 15/45-N						428					



**Pedrollo S.p.A.** – Via Enrico Fermi, 7 – 37047 – San Bonifacio (VR)  
tel. +39 045 6136311 – fax +39 045 7614663 – sales@pedrollo.com – www.pedrollo.com