

2 JET

SETS WITH 2 SELF-PRIMING PUMPS



Booster sets with 2 self-priming JET pumps complete with base, suction and delivery manifold and 2 membrane vessels.

ELECTRICAL PANEL

Automatic inverter for exchanging the order of pump starting at each start-up

Main switch. Float or pressure switch can be inserted as protection against operation without water.

Low voltage auxiliary circuit complete with transformer and fuse.

The units are supplied with tanks and air feeder connection.

motralec

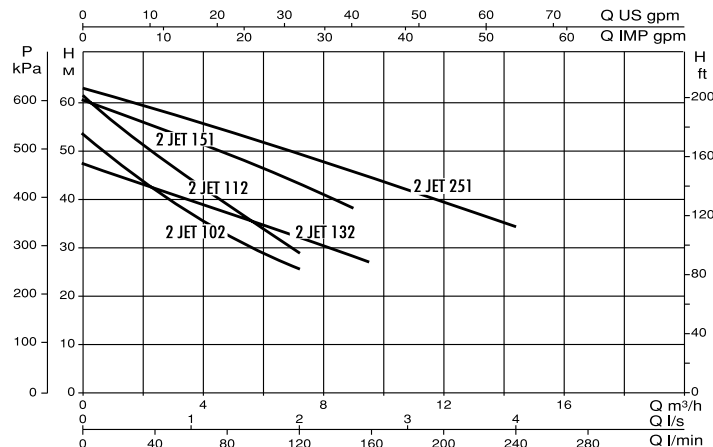
4 rue Lavoisier . ZA Lavoisier . 95223 HERBLAY CEDEX
Tel. : 01.39.97.65.10 / Fax. : 01.39.97.68.48
Demande de prix / e-mail : service-commercial@motralec.com

www.motralec.com

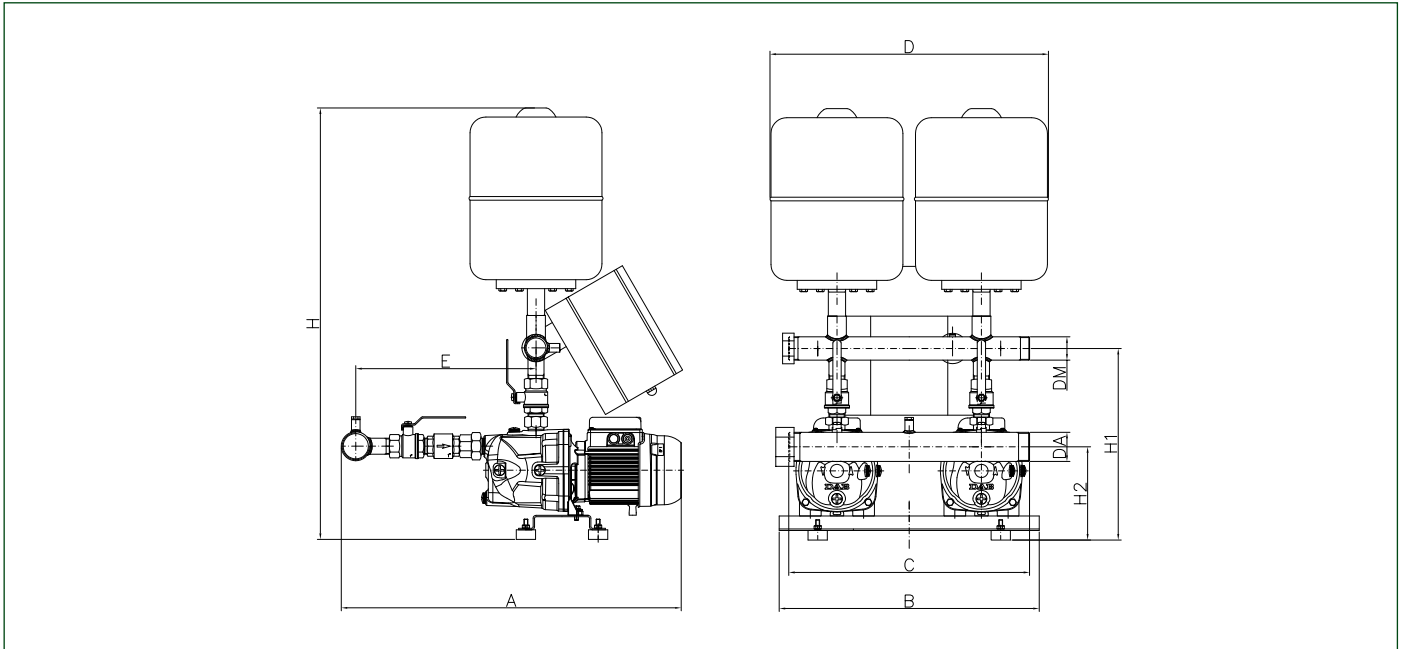
TECHNICAL DATA

MODEL	CODE	ELECTRICAL DATA				MAX PRESSURE OBTAINABLE BAR	PRESSURE SWITCH SETTING IN BAR
		VOLTAGE 50 Hz	P2 NOMINAL		In A		
			KW X2	HP X 2			
2 JET 102 M	500121140	1 X 230V ~	0,75	1	2x5,1	5	2,5÷4
2 JET 102 T	500121640	3 X 400V ~	0,75	1	2x1,98	5	2,5÷4
2 JET 112 M	500121150	1 X 230V ~	1	1,36	2x7	5,8	3,5÷5
2 JET 112 T	500121650	3 X 400V ~	1	1,36	2x2,7	5,8	3,5÷5
2 JET 132 M	500121160	1 X 230V ~	1	1,36	2x7	4,6	2,5÷4
2 JET 132 T	500121660	3 X 400V ~	1	1,36	2x2,7	4,6	2,5÷4
2 JET 151 M	500121060	1 X 230V ~	1,1	1,5	2x7,2	6,1	3,3÷5
2 JET 151 T	500121560	3 X 400V ~	1,1	1,5	2x3	6	3,3÷5
2 JET 251 M	500121100	1 X 230V ~	1,85	2,5	2x10	6,4	3,3÷5
2 JET 251 T	500121600	3 X 400V ~	1,85	2,5	2x4	6	3,3÷5

The set is supplied assembled, tested, in a strong carton on a wooden pallet complete with instruction leaflet and wiring diagram.
Available on request the 3x230 V version.



DIMENSIONS AND WEIGHTS



MODEL	A	B	C	D	E	H	H1	H2	Ø MANIFOLD		WEIGHT Kg
									SUCTION	DELIVERY	
2 JET 102 M	715	540	500	575	385	830	398	194	2"	1 1/2"	71
2 JET 112 M	715	540	500	575	385	830	398	194	2"	1 1/2"	74
2 JET 132 M	715	540	500	575	385	830	398	194	2"	1 1/2"	77
2 JET 151 M	715	540	500	565	385	830	398	194	2"	1 1/2"	101
2 JET 251 M	715	540	500	575	385	830	398	194	2"	1 1/2"	75
2 JET 102 T	715	540	500	575	385	830	398	194	2"	1 1/2"	75
2 JET 112 T	715	540	500	575	385	830	398	194	2"	1 1/2"	78
2 JET 132 T	715	540	500	575	385	830	398	194	2"	1 1/2"	81
2 JET 151 T	960	540	500	565	535	850	458	184	2"	1 1/2"	105
2 JET 251 T	960	540	500	565	535	850	458	184	2"	1 1/2"	108

motralec

4 rue Lavoisier . ZA Lavoisier . 95223 HERBLAY CEDEX

Tel. : 01.39.97.65.10 / Fax. : 01.39.97.68.48

Demande de prix / e-mail : service-commercial@motralec.com

www.motralec.com