

Low Suction Pump with Automatic Level Sensor for clear and drainage water

Sensoflat C238 WS3

Application

For irrigation and drainage in clear or drainage water.

Cellar drainage, pumping water from sumps, pits and rooms. Also suitable for pumping discharge.

The water jacket cooled motor with the top discharge protects the motor against overheating even during sip operation. The integrated level sensor with its extremely compact design allows an application in very narrow sumps. Reduce odour formation in pits and rooms by pumping down to 1 mm remaining level.

The switch-on and switch-off point can be positioned between 1 and 145 mm.

Installation: Permanent or transportable.

Pumped liquid: Clear water or drainage water containing soft solids up to 3 mm spherical clearance. Max. liquid temperature: 35°C, short term up to 60°C.

Operation: Intermittent.

Design

Fully submersible drainage pump consisting of:

Pump: Single stage centrifugal pump with vertical discharge G 1 M.

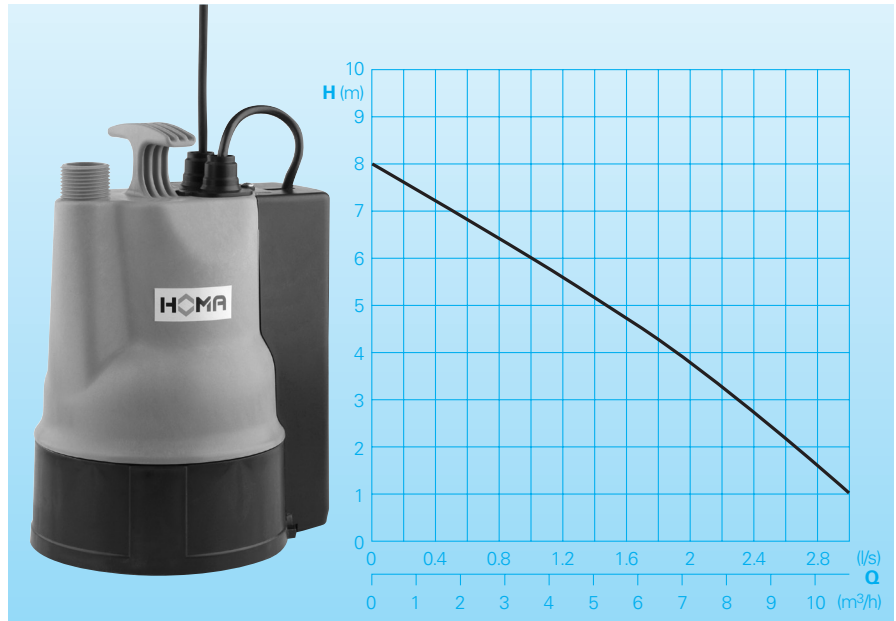
Impeller: Open multi-channel impeller, spherical clearance 3 mm.

Motor: Fully submersible, pressure tight electric motor. Stainless steel motor housing. Insulation class B. Motor protection IP 68. Thermal sensors imbedded in the motor winding.

Shaft/bearing: Large diameter stainless steel rotor shaft, pre-lubricated bearings.

Seals: Triple lip-seal combination.

Performance



Technical Data

Pump type	Motor input		Voltage 50 Hz (V)	Nominal current (A)	Cable type	Weight (kg)
	P ₁ (kW)	P ₂ (kW)				
C238 WS3	0,47	0,28	230/1Ph	2,1	H05RN-F3G0,75	4,6

Speed: 2900 U/min

Discharge: G 1 M

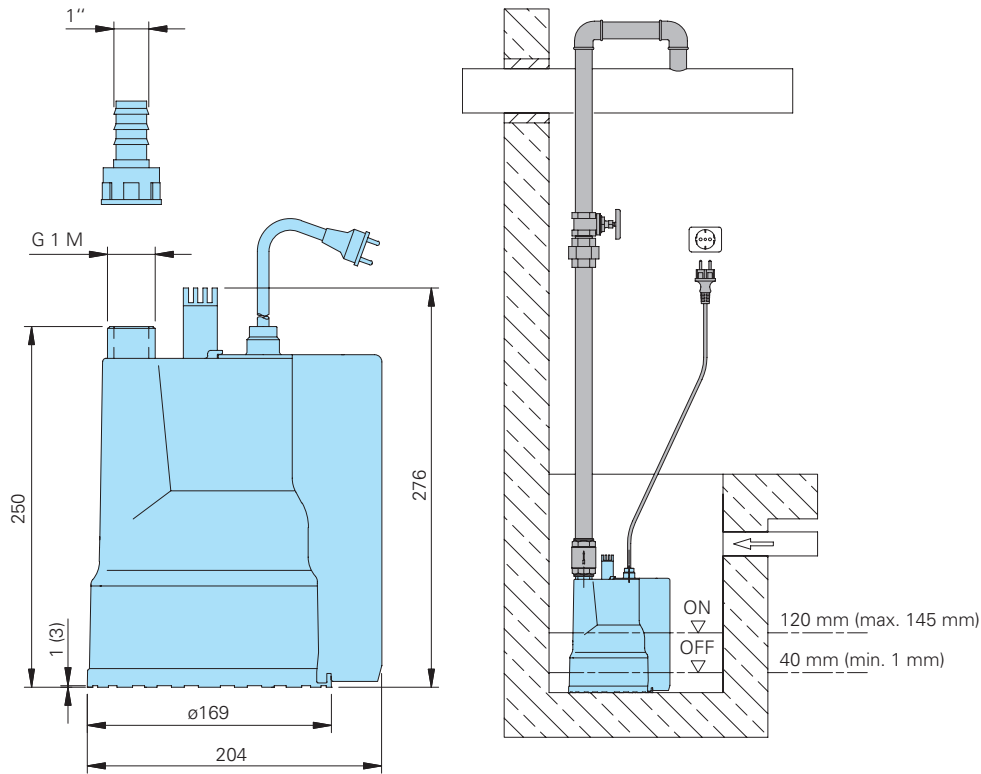
Materials

Motor housing, rotor shaft, screws	Stainless steel
Suction sieve, pump housing	Wear resistant synthetic material (composite)
Impeller, pressure cover	Glass-fibre, rein- forced synthetic material (composite)
Elastomere	NBR

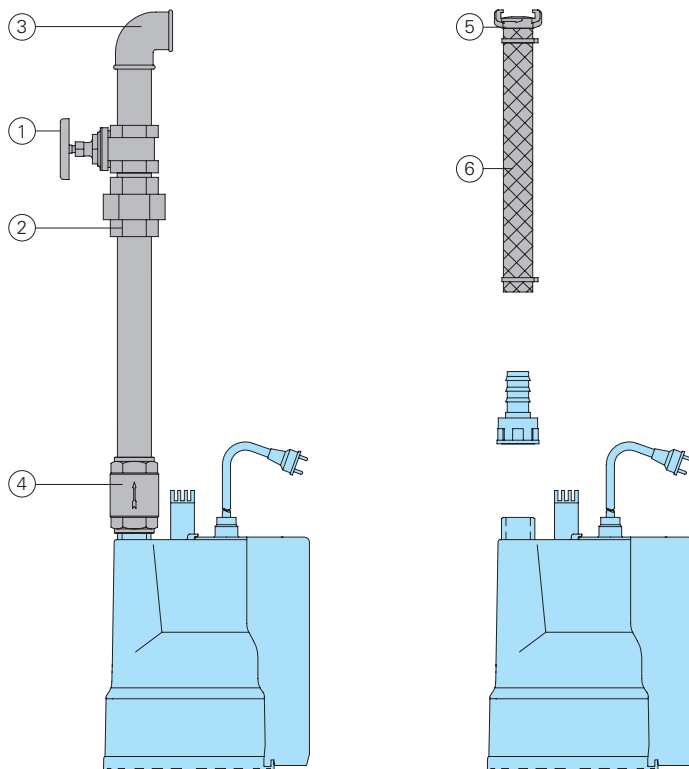
Equipment supplied

Pump with level sensor, 10 m of cable and plug.

Dimensions and installations (all dimensions in mm)



Accessories



Part Description	Dimension	Part No.
① Bronze gate valve	BSP 1" F	2216010
② Pipe union	BSP 1"	2109455
③ galvanized elbow	BSP 1" F/M	21113058
T-piece for twin pump arrangement	BSP 1" F	21143008
④ Brass check valve	BSP 1" F/M	2009026
⑤ Brass hose coupling	1/2"	2003113
⑥ PVC hose, per m	1"	2621000
Reinforced hose, per m	25 mm Ø	2632025
Hose band	1"	2302330



HOMA Pumpenfabrik GmbH
 P.O.Box 22 63, D-53814 Neunk.-Seelscheid
 Tel. +49 (0) 22 47/702-0, Fax +49 (0) 22 47/702-44
 e-mail: info@homa-pumpen.de
 www.homapumps.com