

Jacket cooled submersible drainage pump with integrated float switch for clear and drainage water

Chromatic C239 WE2

Application

For irrigation and drainage in clear or drainage water. Cellar drainage, pumping water from sumps, pits and rooms. Also suitable for pumping discharge from hand basins, showers and washing machines, for flood relief and water removal from water courses or reservoirs. The water jacket cooled motor with the top discharge protects the motor against overheating even during sip operation. The integrated float switch with its extremely compact design allows an application in very narrow sumps.

Installation: Permanent or transportable.

Pumped liquid: Clear water or drainage water containing soft solids up to 10 mm spherical clearance. Max. liquid temperature: 35°C, short term up to 60°C.

Operation: Intermittent.

Design

Fully submersible drainage pump consisting of:

Pump: Single stage centrifugal pump with vertical discharge G 1 ¼ F.

Discharge connection with integrated non-return valve.

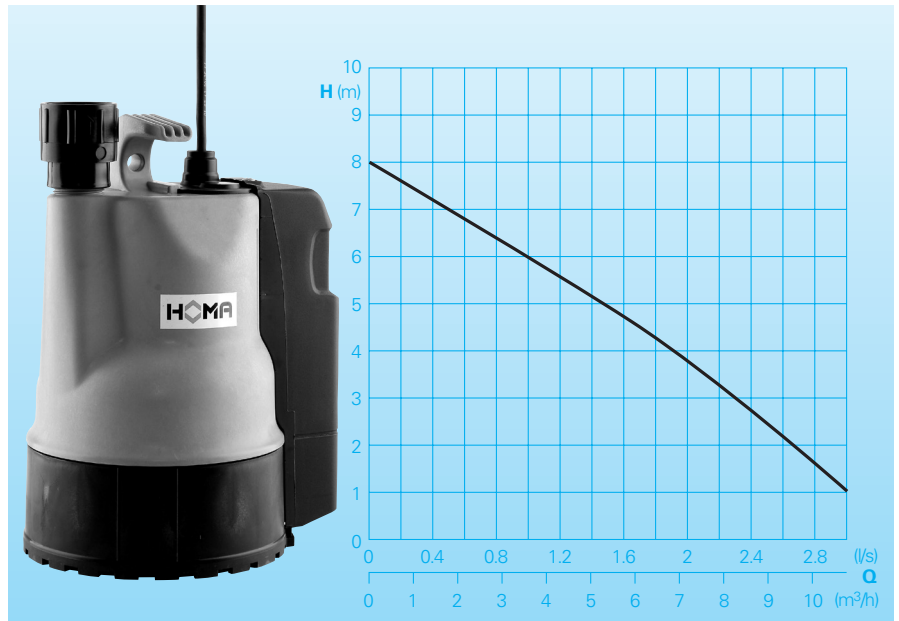
Impeller: Open multi-channel impeller, spherical clearance 10 mm.

Motor: Fully submersible, pressure tight electric motor. Stainless steel motor housing. Insulation class F. Motor protection IP 68. Thermal sensors imbedded in the motor winding.

Shaft/bearing: Large diameter stainless steel rotor shaft, pre-lubricated bearings.

Seals: Triple lip-seal combination.

Performances



Technical Data

Pump type	Motor input P ₁ (kW)	Motor input P ₂ (kW)	Voltage 50 Hz (V)	Nominal current (A)	Cable type	Weight (kg)
C239 WE2	0,47	0,28	230/1Ph	2,1	H05RN-F3G0,75	4,6

Speed: 2900 U/min

Discharge: G 1 ¼ F

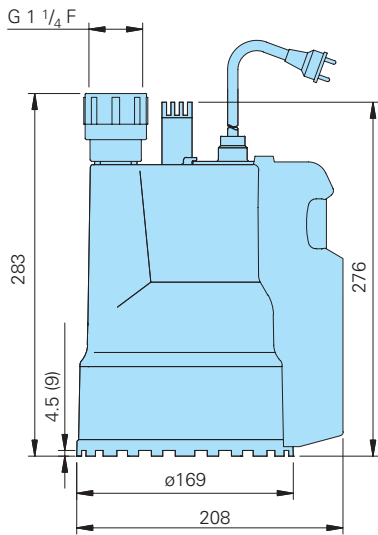
Materials

Motor housing, motor shaft, screws	Stainless steel
Suction sieve, Pump housing, Impeller, pressure cover	Wear resistant synthetic material (composite)
Elastomere	NBR

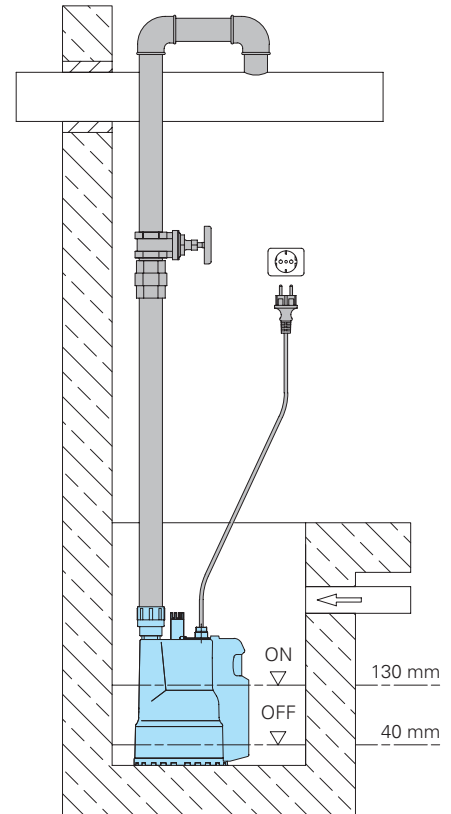
Equipment supplied

Pump with discharge connection G 1 ¼ F with integrated non-return valve. 10 m of cable and plug.

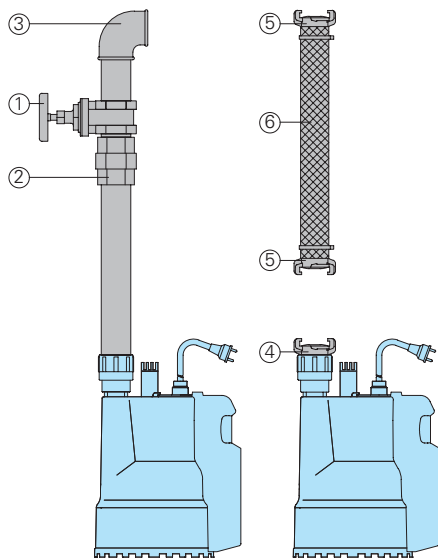
Dimensions and installations (all dimensions in mm)



Permanent sump installation with pipework and control box



Accessories



Part Description	Dimension	Part. No.	Part Description	Dimension	Part. No.
① Bronze gate valve	BSP 1 1/4" F	2216012	○ HOMA 2 poles earth leakage circuit breaker Fi 16/0,03 A		1561160
② Galvanized pipe union	BSP 1 1/4" M/F	2114304	○ Alarm device AL 3 Mains operated with connector for battery 9V (see below) for mains independent operation with integrated buzzer. Mains connection 230-240 V/ 1 Ph		1586140
③ 90° galvanized elbow	BSP 1 1/4" F BSP 1 1/4" F/M	2113604 2111405	Battery for mains-independent operation	9 V	1952215
T-piece for twin pump arrangement	BSP 1 1/4" F	2114301	Float switch MB, mercury free, on or off, with integrated counter weight. Cable length	6 m 10 m	1465706 1465710
○ Bronze non-return valve (if integrated non-return valve is not fitted)	BSP 1 1/4" F	2211213	○ Control panel for single or twin pump station for automatic operation		On request
○ Galvanized double nipple	BSP 1 1/4" M	2009011			
④ Brass fixed coupling	BSP 1 1/4" M	2005413			
⑤ Brass hose coupling	BSP 1" BSP 1 1/4"	2003313 2003413			
⑥ PVC hose, per m	1" Ø 25 mm 1 1/4" Ø 30 mm	2621000 2621200			
Reinforced hose, per m	1" Ø 25 mm 1 1/4" Ø 32 mm	2632025 2632030			
Hose band	3/4" - 1" 1 1/4"	2302330 2303252			

