

EUROCOVER

SUBMERSIBLE SWIMMING POOL PUMPS



SWIMMING POOL COVER DRAINAGE



Totally automatic submersible electric pump, with wide support base specially designed to increase stability and to offer the possibility to operate also in positions which are not perfectly perpendicular to the ground. Suitable for use during the winter period above the pool covers, to remove rainwater and avoid damage to the cover due to the excessive weight of the accumulated water.

Electric pump made of resistant thermoplastic material. Motor, shaft, bolts and screws in stainless steel. Triple interposed ring seal with oil precombustion chamber.

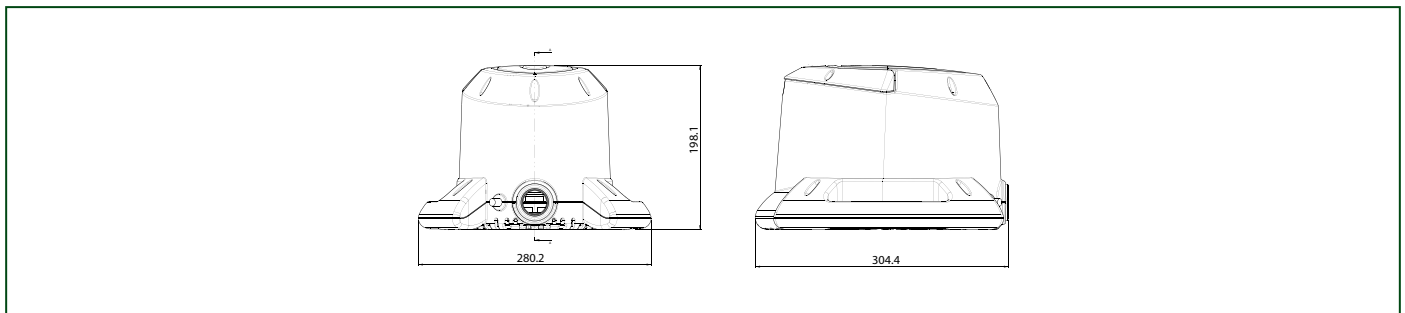
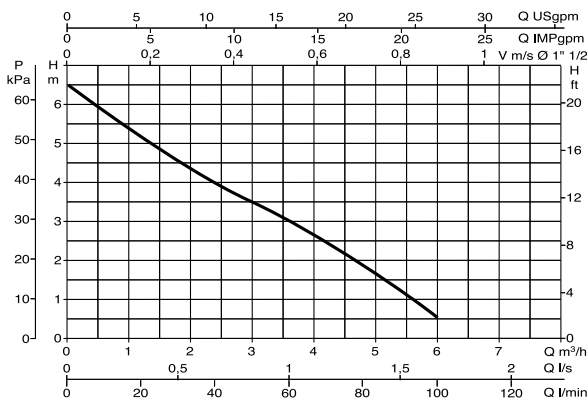
Incorporated float for automatic operation.

Submersible with continuous duty asynchronous motor. Stator positioned in stainless steel enclosure with cap to cover wiring and capacitor

Protection rating: IP68
Insulation class: F
Input voltage: 230V - 50Hz single phase
 Supplied with 10m cable and Schuko plug / 10 m rope for positioning on sheets
 Multi-hose fitting with clapet valve
Operating range: From 0.5 to 6 m³/h with head up to 6.5 m
Liquid temperature range: From 0 to 35 °C (EN 60335-2-41)
Installation: fixed or portable in vertical position (max. inclination 10°)
Particle size: 5 mm
Automatic start/stop: start 55 mm - stop 35 mm

TECHNICAL DATA

| MODEL | CODE | ELECTRICAL DATA | | | | | |
|-----------|----------|------------------|-------------|------------|-----|-----------|----|
| | | VOLTAGE 50 Hz | P1 MAX W | P2 NOMINAL | | CAPACITOR | |
| | | | | kW | HP | µF | Vc |
| EUROCOVER | 60115704 | 230V ~ | 250 | 0,22 | 0,3 | 8 | - |



| MODEL | A | B | C | PACKAGING DIMENSIONS | | | WEIGHT KG | Q.TY X PALLET |
|-----------|-----|-----|-----|----------------------|-----|-----|--------------|---------------------|
| | | | | L | B | H | | |
| EUROCOVER | 542 | 300 | 245 | 290 | 230 | 320 | 4,6 | 36 |